

Modular Urinal Valve System without Strainer



A.u.K. Müller

Solenoid valves
Control valves
Special valves and systems

A.u.K. Müller GmbH & Co. KG
Dresdener Str. 162
D-40595 Düsseldorf/Germany

Tel.: +49(0)211-7391-0
Fax: +49(0)211-7391-281

e-mail: info@akmueller.de
Internet: www.akmueller.de

Series 52.007.126



Characteristics

- Compact, single-piece design
- Shut-off valve for manual closing
- Cartridge valve can be assembled without tools
- Optional plug instead of cartridge valve for system flushing

Applications

- Flush-mounted urinal control

Approvals

- KTW-BWGL System 1+

Description

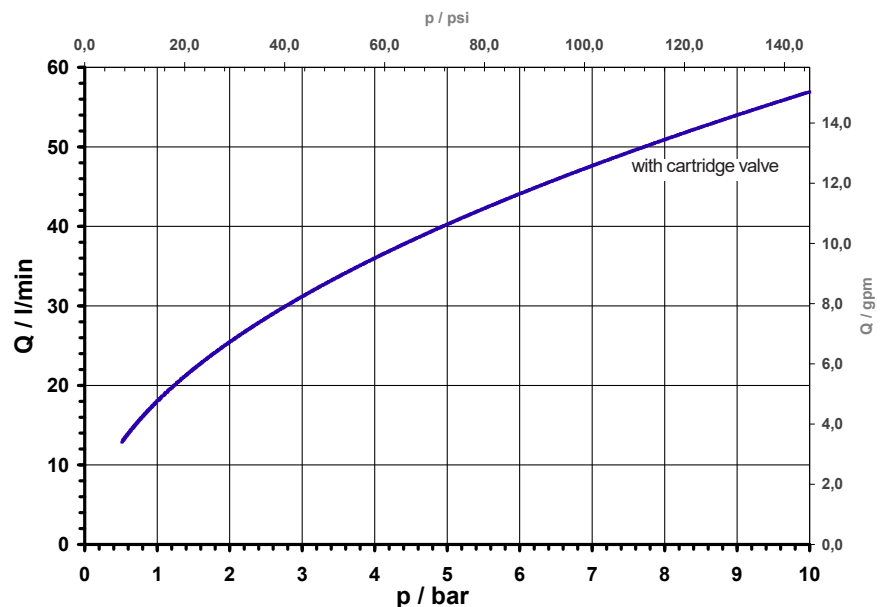
The modular urinal valve system includes a shut-off valve and a solenoid operated cartridge valve with a nominal orifice DN 7.

The shut-off valve allows the manual shut off of the water supply for installation-friendly replacement of the valve, in the case of service, using a standard 8 mm Allen key. Cartridge valve body adapter without shut-off valve are also available (series 50.007.126).

The cartridge valve is inserted in the valve body and secured by a gland nut, making removal for maintenance simple. All 50.007.101 series bi- and mono-stable cartridge valves can be used.

For flushing the pipework before initial operation or after maintenance, the cartridge valve can be replaced by a plug (see page 3).

typical performance curve



Product Information

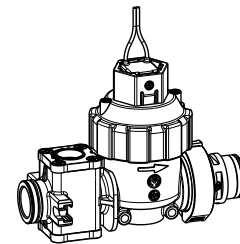
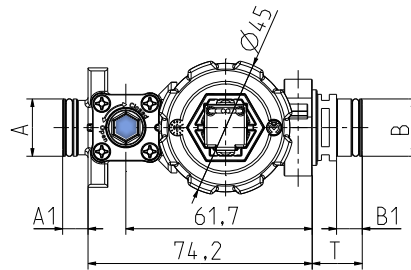
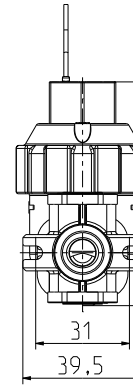
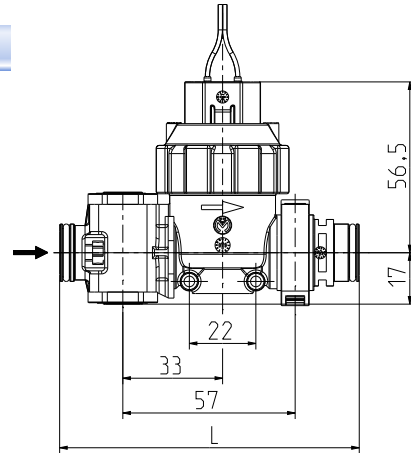
Modular Urinal Valve System without Strainer



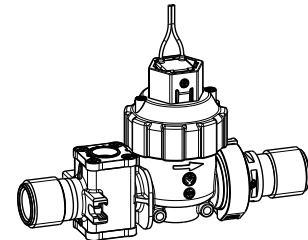
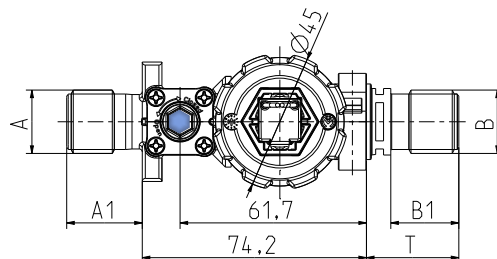
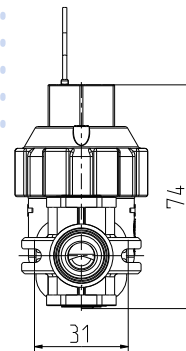
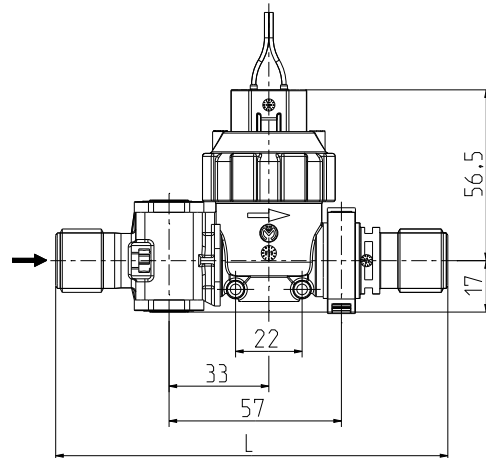
A.u.K. Müller

Series 52.007.126

Plug-in connection



Threaded connection



Options

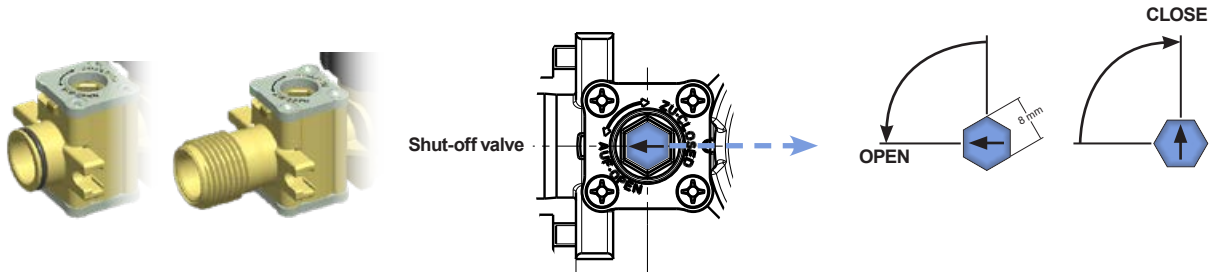
Materials	Inlet		Outlet			Length
	Ø A	A1	Ø B	B1	B2	L
PA 6/6	Plug connection 19	8,5	Plug connection 19	8,5	16,6	99,0
PA 6/6	G 1/2	25,0	G 1/2	22,5	30,6	129,7

Combinations of the connectors above or customer specific variants are available on request.

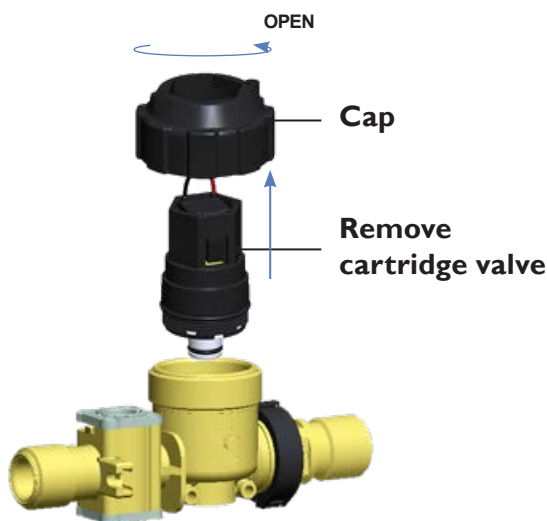




Series 52.007.126

Shut-off valve - Please see markings on the retention gland for operation

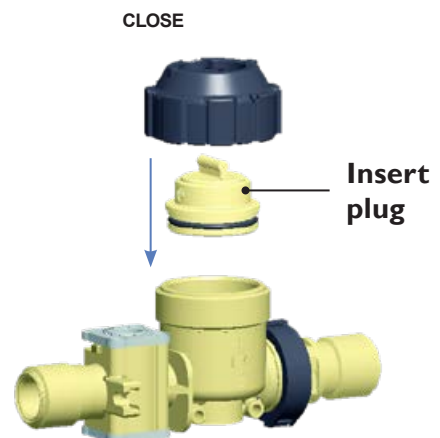


For flushing of the system



Spare parts	ID	
Swivel nut for valve 50.007.101	009787	
Plug with o-ring	010941	

When using the cartridge valve body adapter with cartridge valve 50.007.100 as cap ID 009057 is required.



After flushing assemble parts in reverse order.

Please refer to the Note on page 6.



Series 52.007.126

Technical Data

	monostable	bistable
Type	2/2-way cartridge valve	
Construction	Screw-in, servo controlled	
Function	Normally closed (NC)	Bistable, pulse controlled
Connection	Thread M28 x 1 or M29 x 1,5	
Fitting position	Any	
Media	Cold potable water and physically and chemically similar media	
T-Medium	5 - 30 °C	
T-Ambient	5 - 60 °C	
DN	7 mm	
p-Operating	0,5 - 10,0 bar	
Flow factor Kv	18 l/min	
Pressure surge	According to EN 60730	
Nominal voltages	12 V DC 24 V DC	3 V DC 6 V DC 9 V DC
Other voltages on request		
Voltage tolerance	-15 % / +10 %	
Operating voltages	3 V DC = 2,4 - 3,3 V DC 6 V DC = 4,0 - 6,9 V DC 9 V DC = 6,0 - 10,4 V DC at T-Ambient: 25 °C	
	<p>Voltage reduction Optional</p> <p>$t_{start} : 100 \text{ ms}$ $tp: T \geq 1:3$ [$>100\text{Hz}$] PWM $t_{start} : 100 \text{ ms}$ $tp: T \geq 1:4$ [$>1\text{kHz}$] PWM</p>	<p>Pulse shape/-time 6V</p> <p>(3 V 15 ms on / 15 ms off) (9 V 15 ms on / 15 ms off)</p>
Duty cycle	100%	
Power consumption	1,7 W - 12 VDC 1,8 W - 24 VDC	1,3 W - 3 V DC 1,4 W - 6 V DC 1,5 W - 9 V DC
Protection type	IP 67	
Insulation class	B according to EN 60730	



50.007.101

Materials

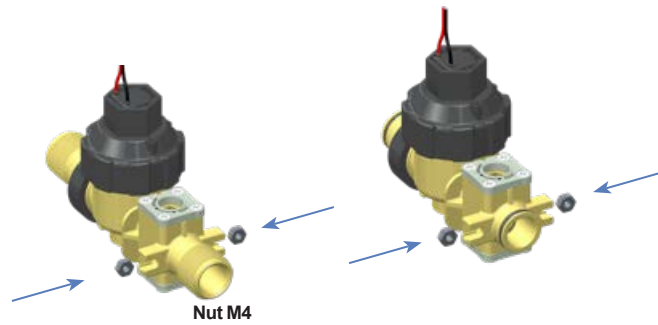
Body	PA 6/6 glass fibre reinforced
Plunger guide	LCP
Plunger and spring	stainless steel
Membrane and sealings	EPDM
Filter (in inlet)	stainless steel



Series 52.007.126

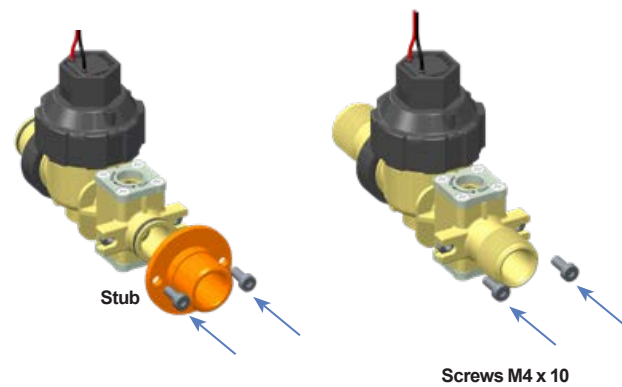
Assembly to flush mounting box wall

At the inlet two pockets are used to locate M4 nuts. The nuts are pushed into the pockets and are prevented from rotating.

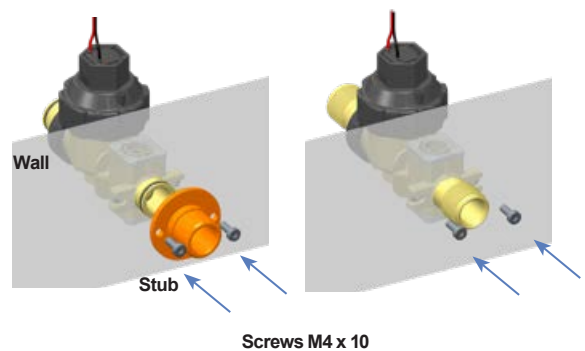
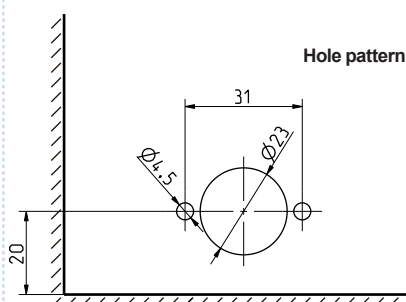


When utilising a plug-in connection, a stub, for example, is screwed to the wall with M4 screws.


Mounting accessories such as stubs and screws on request.



The attachment to the wall of the flush mounting box requires customised openings for the hydraulic connection and the fixing screws. Recommended wall thickness is 2 to 3mm.



Series 52.007.126

 Assembly instructions

Please proceed with the installation as follows:

- 1**
Place the cap before screwing on the valve first.
- 2**
The cutout in the upper cap opening must be aligned with the cable exit of the valve and must lie flush.
- 3**
Screw cap and valve simultaneously in the housing to prevent damages caused by misalignment of the valve.

