

Modular Urinal Valve System with Strainer

Product Information



A.u.K. Müller

Solenoid valves
Control valves
Special valves and systems

A.u.K. Müller GmbH & Co. KG
Dresdener Str. 162
D-40595 Düsseldorf/Germany

Tel.: +49(0)211-7391-0
Fax: +49(0)211-7391-281

e-mail: info@akmueller.de
Internet: www.akmueller.de

Series 52.007.2xx



Characteristics

- Compact, one-piece design
- Shut-off valve for manual closing
- Integrated dirt strainer
- Cartridge valve and strainer can be assembled without tools
- Optional plug instead of cartridge valve for system flushing
- Angle between cartridge valve and strainer housings can be varied in 15 degree increments

Applications

- Flush-mounted urinal control

Approvals

- KTW-BWGL System 1+

Description

The Modular Urinal Valve System includes a shut-off valve, a strainer and solenoid operated cartridge valve with a nominal orifice DN 7.

The shut-off valve allows the flow to be manually stopped, using a standard 8 mm Allen key.

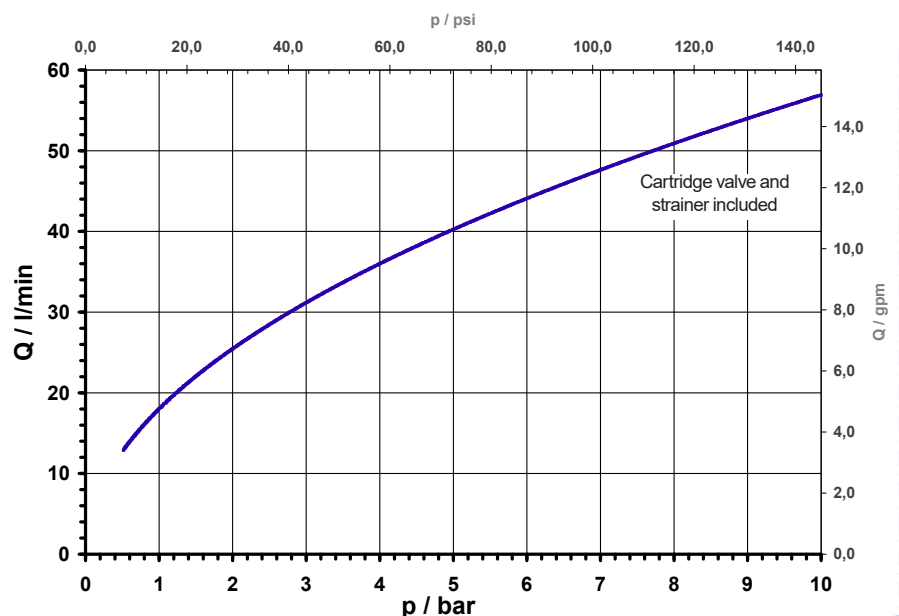
Suspended particles are filtered by the strainer.

The cartridge valve is inserted in the valve body and secured by a gland nut, which makes removable for maintenance simple. All 50.007.101 series bi-stable and mono-stable cartridge valves can be used.

Strainer and cartridge valve can be assembled in 15 degree increments to each other.

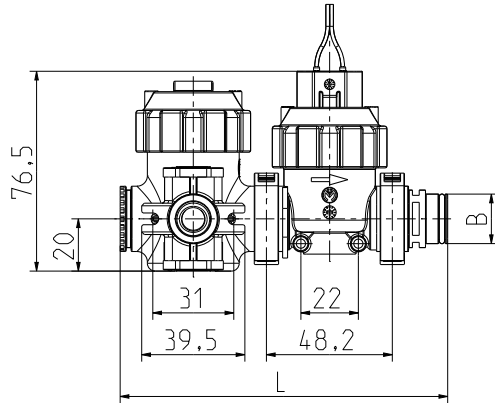
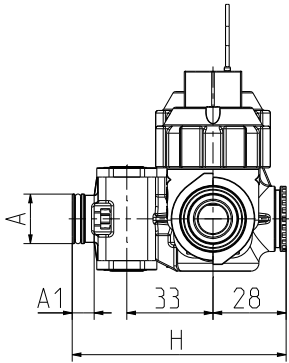
For flushing the pipework before initial operation or after maintenance, the cartridge valve can be replaced by a plug. The filter insert should also be removed at initial flushing.

Typical Performance Curve

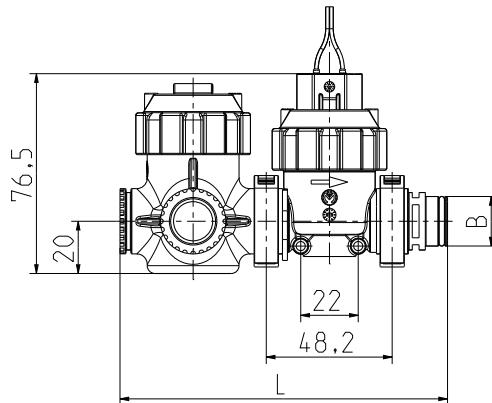
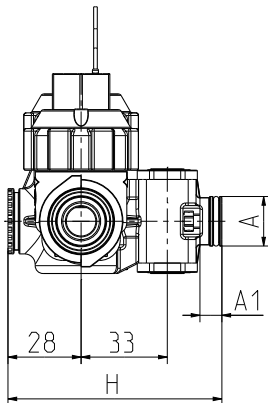
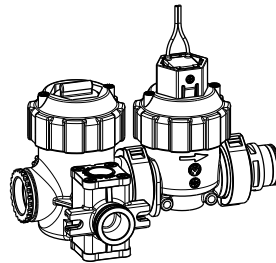
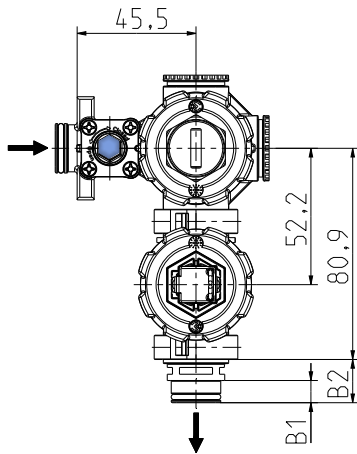




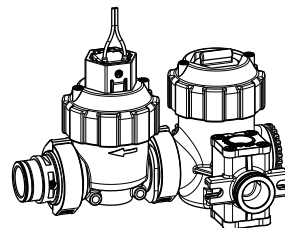
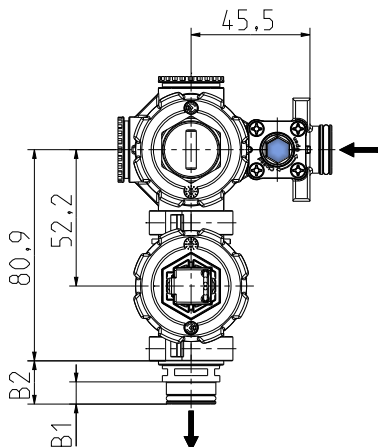
Series 52.007.2xx



52.007.211 inlet left

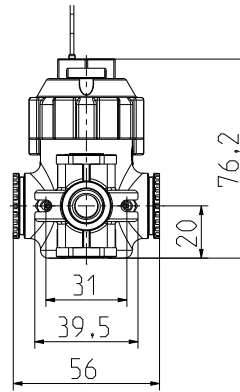
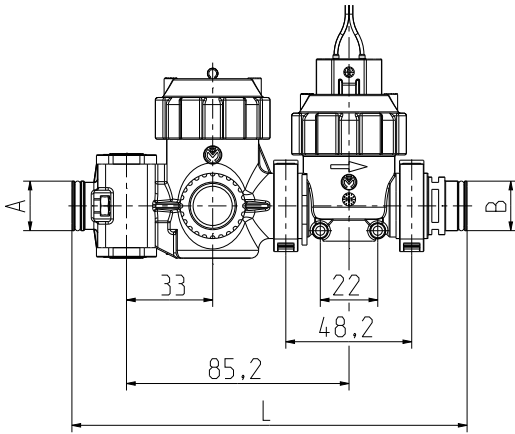


52.007.211 inlet right

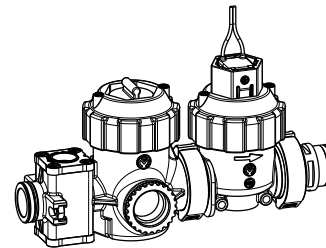
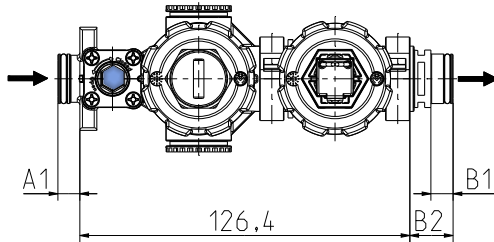




Series 52.007.2xx



52.007.226 Straight through housing



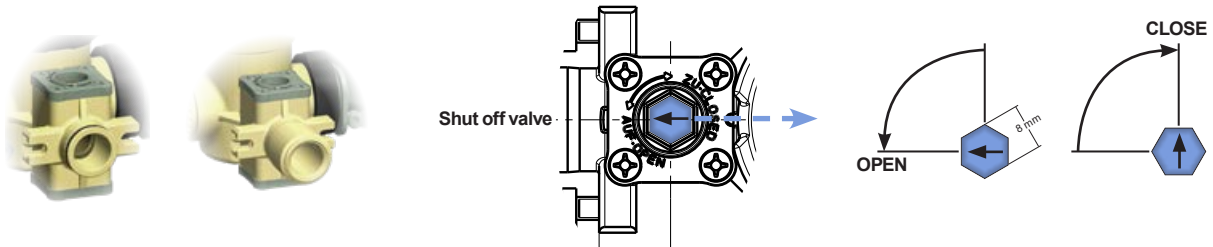
Options

	Material	Inlet		Outlet			L	H
		Ø A	A1	Ø B	B1	B2		
52.007.226	PA 6/6	Plug connection 19	8,5	Plug connection 19	8,5	16,6	151,5	-
52.007.226	PA 6/6	G 1/2	24,5	G 1/2	22,5	30,6	181,5	-
52.007.211	PA 6/6	Plug connection 19	8,5	Plug connection 19	8,5	16,6	125,5	82,0
52.007.211	PA 6/6	G 1/2	24,5	G 1/2	22,5	30,6	139,5	98,0

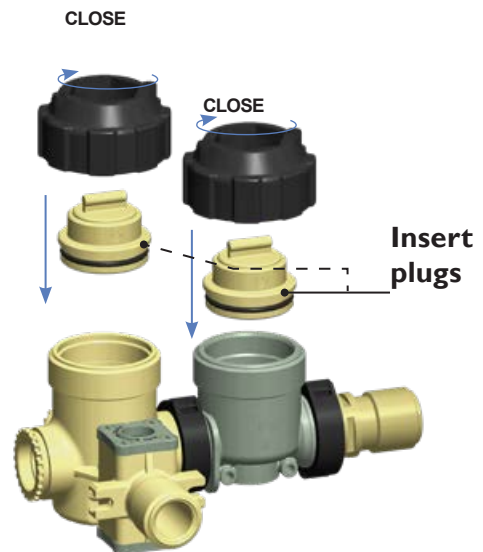
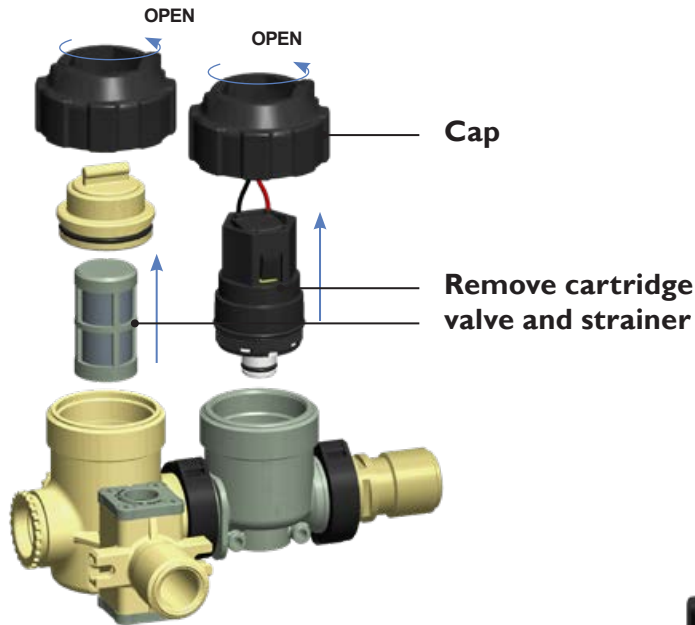
Combinations of the connectors above or customer specific variants are available on request.

Series 52.007.2xx

Shut-off valve - Please see markings on the retention gland for operation



For flushing of the system



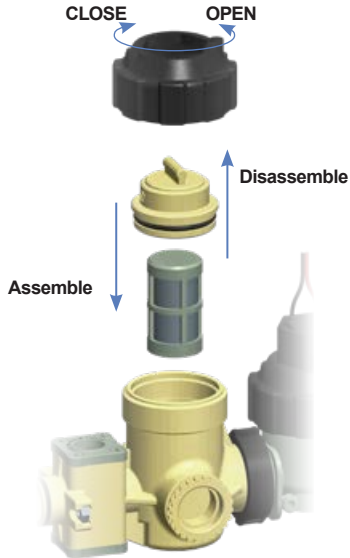
ID of Cap	Material	Note	
009787	PA 66	For valve model 50.007.101	

When using the cartridge valve body adapter with cartridge valve 50.007.100 as cap ID 009057 is required.

After flushing assemble parts in reverse order.

Please refer to the Note on page 8

Series 52.007.2xx



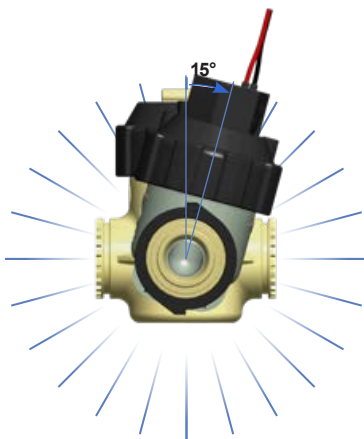
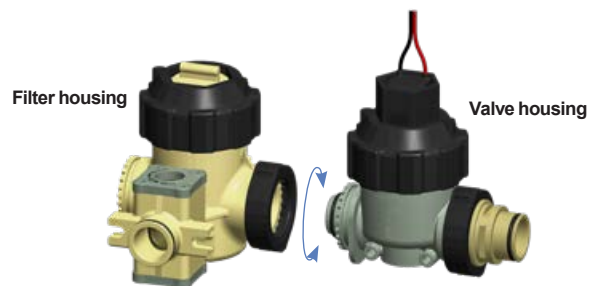
Available filter inserts

ID	Material	Mesh size/ wire diameter	
008930	PA 6/6	0,50 / 0,20 mm	
008929		0,25 / 0,12 mm	
008928		0,11 / 0,06 mm	

Spare parts	ID	
Swivel nut for valve 50.007.101	009787	
Plug with o-ring	010941	

Assembly Options

Strainer and cartridge can be assembled in 15 degree increments to each other.



Example of a pre-assembly with filter and valve housing twisted by 30 degree.





Series 52.007.2xx

Technical Data

	monostable	bistable
Type	2/2-way cartridge valve	
Construction	Screw-in, servo controlled	
Function	Normally closed (NC)	Bistable, pulse controlled
Connection	Thread M28 x 1 or M29 x 1,5	
Fitting position	Any	
Media	Cold potable water and physically and chemically similar media	
T-Medium	5 - 30 °C	
T-Ambient	5 - 60 °C	
DN	7 mm	
p-Operating	0,5 - 10,0 bar	
Flow factor Kv @ 1 bar	18 l/min	
Pressure surge	According to EN 60730	
Nominal voltages	12 V DC 24 V DC	3 V DC 6 V DC 9 V DC
Other voltages on request		
Voltage tolerance	-15 % / +10 %	
Operating voltages		3 V DC = 2,4 - 3,3 V DC 6 V DC = 4,0 - 6,9 V DC 9 V DC = 6,0 - 10,4 V DC at T-Ambient: 25 °C
	<p>Voltage reduction Optional</p> <p>$t_{start} : 100 \text{ ms}$ $tp: T \geq 1:3$ [$>100\text{Hz}$] PWM $t_{start} : 100 \text{ ms}$ $tp: T \geq 1:4$ [$>1\text{kHz}$] PWM</p>	<p>Pulse shape/-time</p> <p>$(3 \text{ V } 15 \text{ ms on} / 15 \text{ ms off})$ $(9 \text{ V } 15 \text{ ms on} / 15 \text{ ms off})$</p>
Duty cycle	100 %	
Power consumption	1,7 W - 12 VDC 1,8 W - 24 VDC	1,3 W - 3 V DC 1,4 W - 6 V DC 1,5 W - 9 V DC
Protection type	IP 67	
Insulation class	B according to EN 60730	



50.007.101

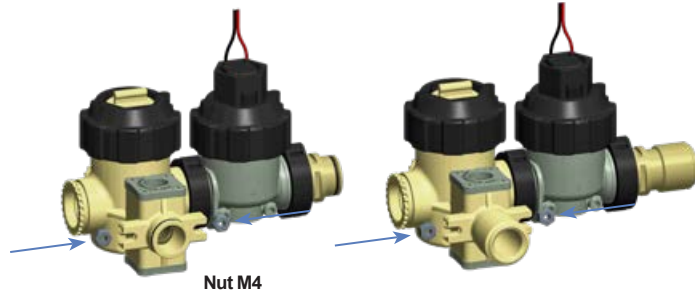
Materials

Body	PA 6/6 glass fibre reinforced
Plunger guide	LCP
Plunger and spring	Stainless steel
Membrane and sealings	EPDM
Filter (in inlet)	Stainless steel

Series 52.007.2xx

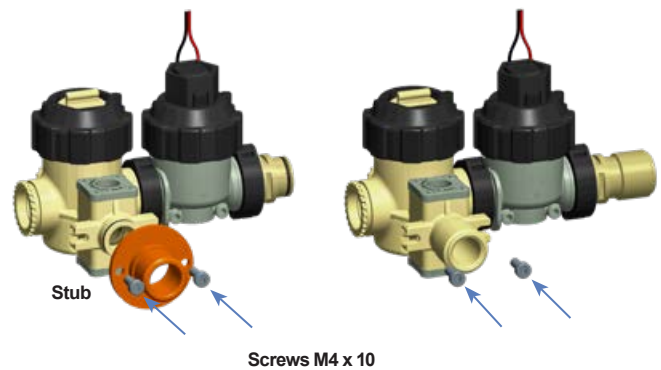
Connection to a flush mounting box

At the inlet two pockets are used to locate M4 nuts. The nuts are pushed into the pockets and are prevented from rotating.

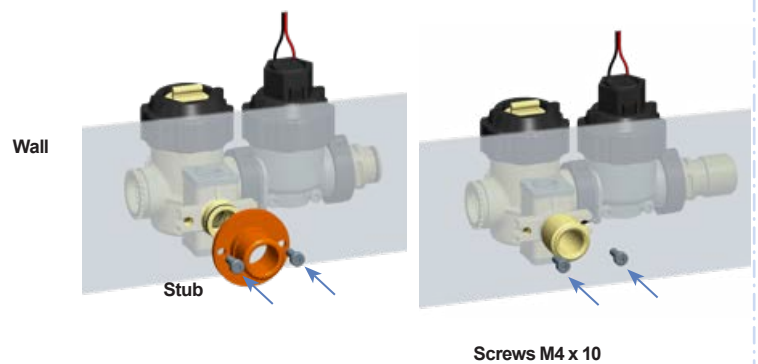
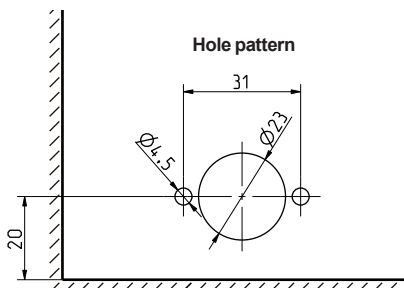


When utilising a plug-in connection, a stub, for example, is screwed to the wall with M4 screws.

Mounting accessories such as stubs and screws on request.



The attachment to the wall of the flush mounting box requires customised openings for the hydraulic connection and the fixing screws. Recommended wall thickness is 2 to 3 mm.



Series 52.007.2xx

Assembly instructions

Please proceed with the installation as follows:

1

Place the cap before screwing on the valve first.

2

The cutout in the upper cap opening must be aligned with the cable exit of the valve and must lie flush.

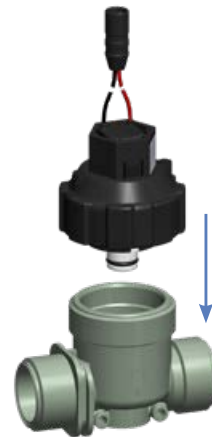
3

Screw cap and valve simultaneously in the housing to prevent damages caused by misalignment of the valve.

1



2



3

