



Series 52.009.100/~.200



52.009.100



52.009.200

Description

The manual shut-off valve allows a complete shut-off of water paths for service e.g. pipe parts or other distribution circuits. The functionality according to DIN EN 13828 is confirmed by an accredited laboratory.

The shut-off valve ensures a tight seal so that no pressure loss in the system occurs while still in operation. Thus the main applications are where the fluid path is to be shut off for service purposes (replacement of components) or for safety.

The manual shut-off is performed using a commercially available 8 mm Allen key (52.009.100) or a pre-installed handle (52.009.200).

The shut-off valve is available with various connectors.

Applications

- In supply pipes for domestic and industrial appliances
- Commercial warewashing
- Commercial kitchen technology
- Disinfection and sterilization
- Laboratory equipment and dental technology
- Dosing systems
- Car washes

Characteristics

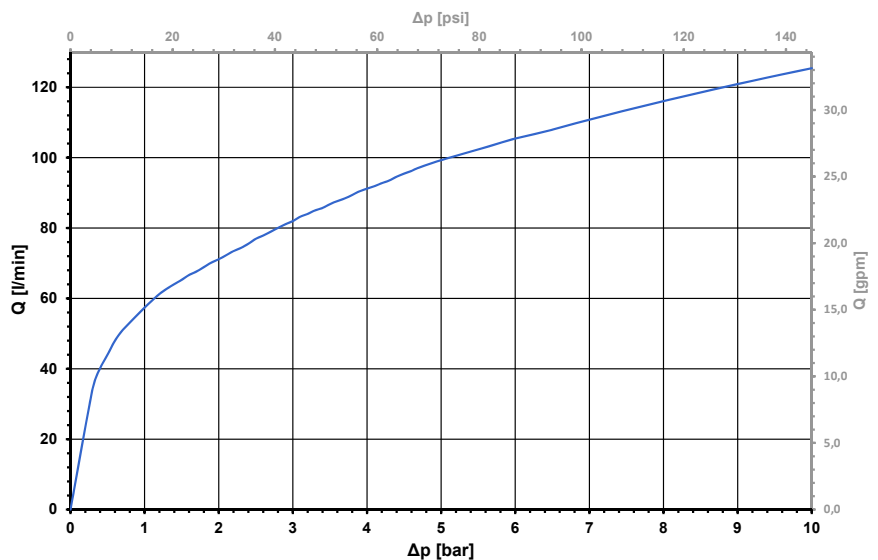
- Tight seal, no pressure loss in the system while still in operation
- Functionality in accordance to DIN EN 13828
- Simple shut off by 8 mm Allen key or convenient operation due to pre-assembled handle
- Maintenance-free shut-off cylinder
- Free flow in accordance with nominal orifice DN 9
- Suitable for hot water up to 90 °C
- Easy to clean
- Pressure resistant up to 10 bar
- Long term performance capability
- High operating safety through the use of high quality materials and 100 % final testing of the products

Possible approvals

Approved versions available on request:

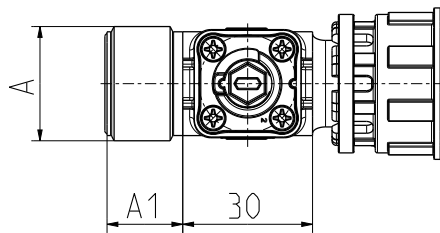
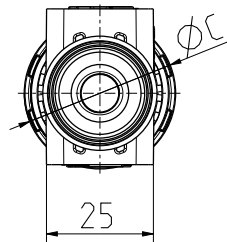
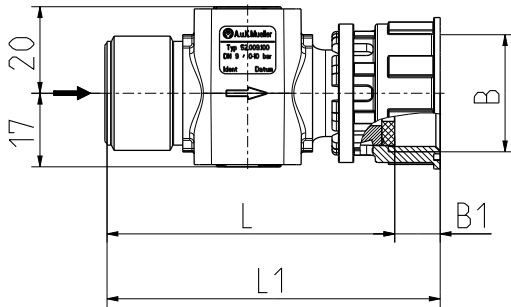
- KTW/W270
- NSF 61
- WRAS
- Others on request

typical performance curve





Series 52.009.100/~.200



Technical Data

Type	Shut-off valve	
Construction	single chamber straight valve	
Function	manual	
Fitting position	any	
Media	cold and heated potable water and physically and chemically similar media	
T-Medium	90	°C max.
T-Ambient	60	°C max.
DN	9	mm
p-Operating	0 - 10	bar
Cv-value	57	l/min
Flow regulator	on request	

Materials

Valve body	PA 6/6 glass fibre reinforced
Cock	PPE stainless steel (on request)
Plug	PPE stainless steel on request
Sealings	EPDM
Filter (inlet)	POM stainless steel (on request)

Options

52.009.100 (without handle)

Inlet		Outlet		Length			ID
Ø A	A1	Ø B	B1	C	L	L1	
G 3/4	17,5	G 3/4 female	10,5	35,0	66,5	77,0	60450
G 1/2 female	9,0	G 1/2	14,5	29,5	64,5	73,5	60452
G 1/2	14,5	G 3/8 female	7,7	25,0	61,5	69,2	60453
G 1/2 female	9,0	G 3/8	12,5	29,5	62,5	71,5	60454
3/4 - 11,5 NH	17,5	3/4 - 11,5 NH female	10,5	35,0	66,5	77,0	60455
G 3/4 female	10,5	G 3/4	17,5	35,0	66,5	77,0	on request
G 1/2	14,5	G 1/2 female	9,0	29,5	64,5	73,5	on request

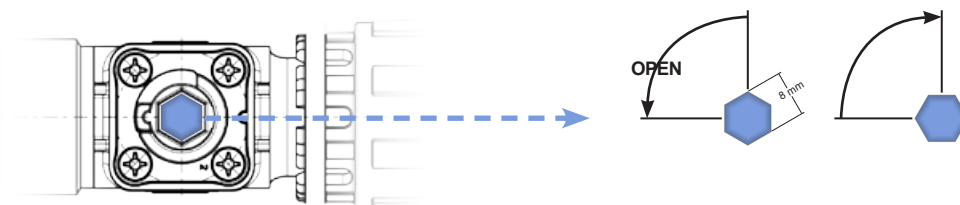


52.009.100

Shut-off valve - Please see markings on the retention gland for operation

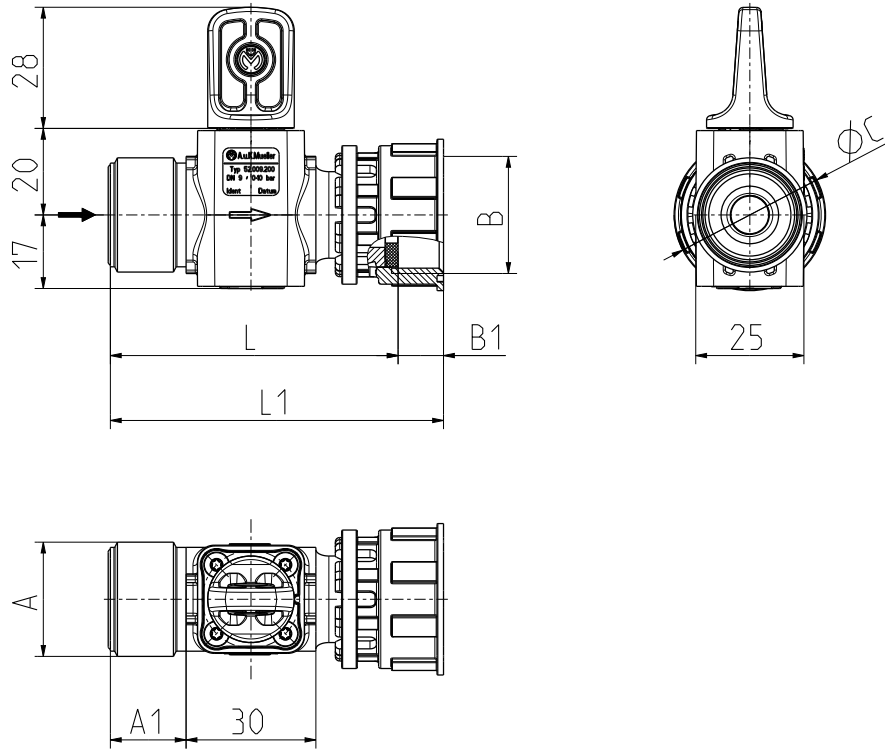
1,5 Nm max.

CLOSE





Series 52.009.100/~.200



Options


52.009.200 (with handle)

Inlet		Outlet			Length		ID
Ø A	A1	Ø B	B1	C	L	L1	
G 3/4	17,5	G 3/4 female	10,5	35,0	66,5	77,0	60451
G 1/2 female	9,0	G 1/2	14,5	29,5	64,5	73,5	on request
G 1/2	14,5	G 3/8 female	7,7	25,0	61,5	69,2	on request
G 1/2 female	9,0	G 3/8	12,5	29,5	62,5	71,5	on request
3/4 - 11,5 NH	17,5	3/4 - 11,5 NH female	10,5	35,0	66,5	77,0	on request
G 3/4 female	10,5	G 3/4	17,5	35,0	66,5	77,0	on request
G 1/2	14,5	G 1/2 female	9,0	29,5	64,5	73,5	on request



52.009.200





Solenoid valves
Control valves
Special valves and systems

A. u. K. Müller GmbH & Co. KG
Dresdener Str. 162
D-40595 Düsseldorf/Germany

Tel.: +49(0)211-7391-0
Fax: +49(0)211-7391-281

e-mail: info@akmueller.de
Internet: www.akmueller.de