

Product Information

Servo-controlled solenoid valve NC, three-/fourfold, DN 10, DN 17



A. u. K. Müller

Solenoid valves
Control valves
Special valves and systems

A. u. K. Müller GmbH & Co. KG
Dresdener Str. 162
D-40595 Düsseldorf/Germany

Tel.: +49(0)211-7391-0
Fax: +49(0)211-7391-281

e-mail: info@akmueller.de
Internet: www.akmueller.de

Series 15.017.x25



Characteristics

- Servo-controlled
- Normally closed (NC)
- Solenoid replaceable while medium circuit remains untouched
- Suitable for hot water up to 90 °C
- Similar hydraulic performance for AC and DC types
- Long term performance capability
- Optimized water hammer characteristic by low noise emission according to EN 60730
- High operating safety by the use of high quality materials and 100% final testing of the products

Applications

- Industrial appliances
- Air conditioning
- Agricultural implements
- Dish washers
- Cleaning systems
- Temperature equalisers
- Washing machines
- Water treatment

Description

2/2-way solenoid valve combination of nominal diameters DN 17 and DN 10 for use with cold and heated potable water and physically and chemically similar media. The valve is servo-controlled and normally closed (NC).

Valves of this design are three- or fourfold valves with one common inlet. Each outlet can individually or in any combination be operated.

Coil systems for common voltage and frequency ranges are available.

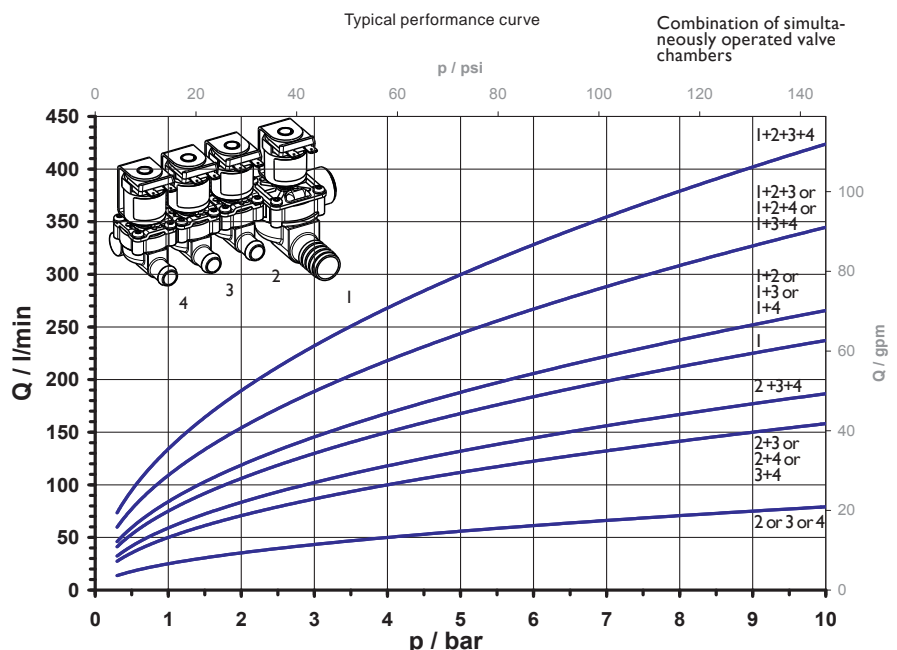
Electrical operating safety is achieved by insulation class F and can be supported by an integrated protective circuit.

By using high quality insulation materials, continuous duty (100 % ED) at higher medium temperatures is possible. The PA 6/6 valve body persists hot water. Protection against corrosion of inner parts exposed to the medium is achieved by using stainless steel.

Possible approvals

Approved versions available on request:

- KTW/W270
- NSF 169
- WRAS
- ACS
- UL
- Others on request



Servo-controlled solenoid valve NC, three-/fourfold, DN 10, DN 17

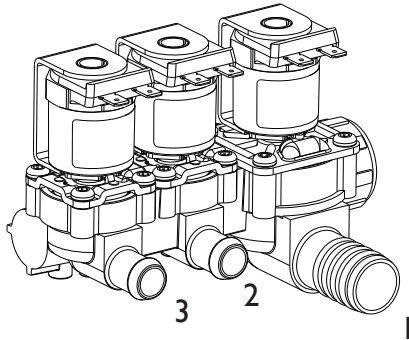


A. u. K. Müller

Series 15.017.x25

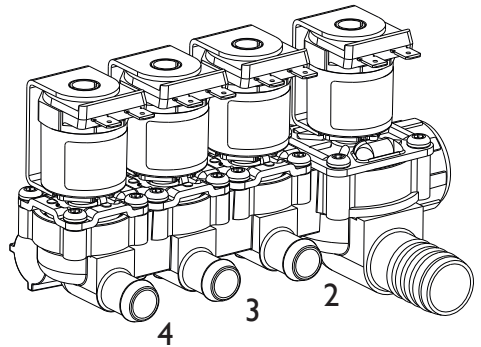
Threefold version

15.017.325



Fourfold version

15.017.425



Materials	
Valve body	PA 6/6 glass fibre reinforced
Plunger guide	stainless steel
Plunger and spring	stainless steel
Membrane and sealings	EPDM NBR (on request) VMQ (on request)
Coil coating	PBT,PET or epoxy resin
Filter (inlet)	stainless steel POM (on request)

Options

Dimensional drawings - refer to the following pages ▶

Technical Data

Type	solenoid valve	
Construction	2/2-way manifold chamber straight valve, servo-controlled	
Function	NC (normally closed)	
Fitting position	any, preferably with coil upwardly	
Media	cold and heated potable water and physically and chemically similar media	
T-Medium	90 (194)	°C max. (°F max.)
T-Ambient	70 (158) (60 (140))	°C max. (°F max.) °C max. (°F max.) USA and coils MS.024, MS.025
DN [2, 3, 4] [1]	3x10 (0,39) 1x17 (0,67)	mm (inch) mm (inch)
p-Operating	0,3 - 10 (4.3 - 145)	bar (psi)
Cv-value (at 14,5 psi)		
DN 17	59 (15,6)	l/min (gpm)
DN 10 (each)	25 (6,6)	l/min (gpm)
Flow regulator	on request (inlet or placed in DN 10 valve seat)	
Pressure surge	according to EN 60730	
Coil type	MS.006, MS.024, MS.025	
Nominal voltages	220 - 240 110 110 - 127 24 12 24 12	V AC 50-60 Hz V AC 50 Hz V AC 60 Hz V AC 50/60 Hz V AC 50/60 Hz V DC V DC
	other voltages on request	
Voltage tolerance	+10% -15%	
Duty cycle	100%	
Nominal power	8,5 W	13 VA (AC only)
Protection Type	IP 00 to IP 68	
Coil connections	flat tabs 6,3 x 0,8 mm plug socket according to EN 175301-803 (IP65), several cable connections (IP67, IP68)	
Insulation class	F	according to EN 60730
Protection class	I	according to EN 60730 (for incorporation in class I)

MS.006
(IP00)



MS.024
(IP65)



MS.025
(IP67,
IP68)



Servo-controlled solenoid valve NC, three-/fourfold, DN 10, DN 17

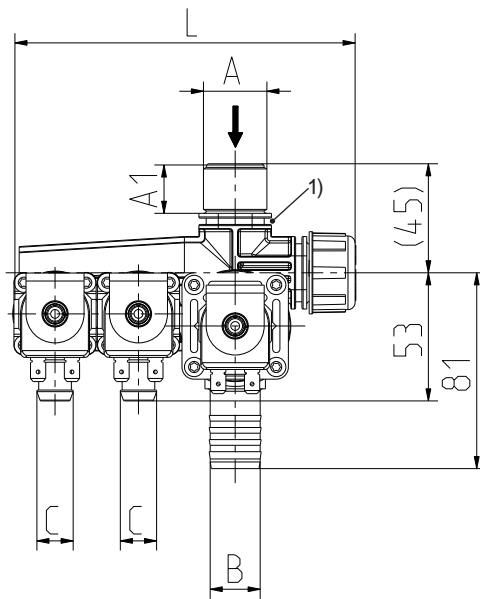
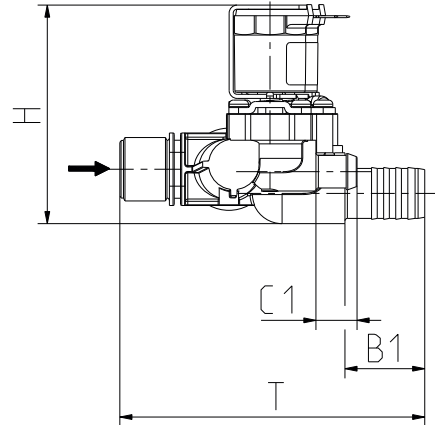
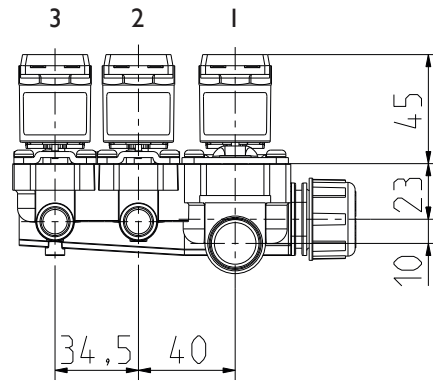


A. u. K. Müller

Series 15.017.x25

Threefold version

15.017.325



15.017.325

1) Fixing groove

Options

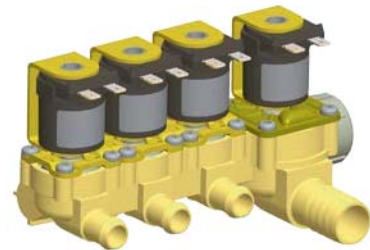
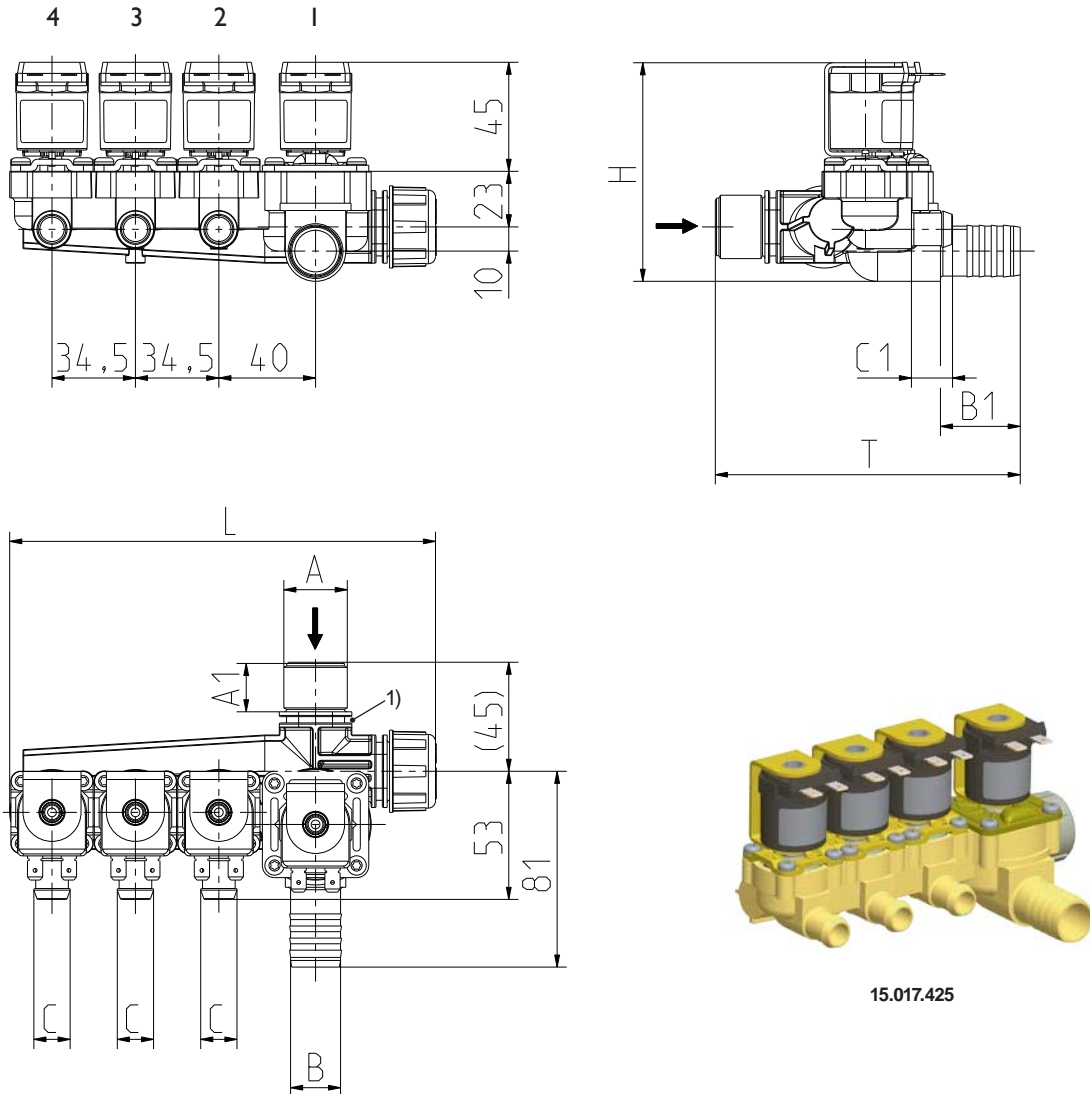
Inlet		Outlet				Length	Height	Depth	Nominal voltage	Coil type	ID
Ø A	A1	Ø B	B1	Ø C	C1	L	H	T			
G 3/4	20,0	21,5 nozzle	33	15,0 nozzle	17,0	142,0	90,0	126,0	24 V AC 50 - 60 Hz	MS.006	71800
									220 - 240 V AC 50 - 60 Hz	MS.006	71801
G 3/4	20,0	21,5 nozzle	33	11,5 nozzle	17,0	142,0	90,0	126,0	on request		
.75-11.5 NH	20,0	21,5 nozzle	33	15,0 nozzle	17,0	142,0	90,0	126,0	on request		
.75-11.5 NH	20,0	21,5 nozzle	33	11,5 nozzle	17,0	142,0	90,0	126,0	on request		



Series 15.017.x25

Fourfold version

15.017.425



15.017.425

1) Fixing groove

Options

Inlet		Outlet					Length	Height	Depth	Nominal voltage	Coil type	ID
Ø A	A1	Ø B	B1	Ø C	C1	L	H	T				
G 3/4	20,0	21,5 nozzle	33	15,0 nozzle	17,0	177,0	90,0	126,0	24 V AC 50 - 60 Hz	MS.006	71900	
									24 V DC	MS.024	71950	
									220 - 240 V AC 50 - 60 Hz	MS.025	71975	
G 3/4	20,0	21,5 nozzle	33	11,5 nozzle	17,0	177,0	90,0	126,0	on request			
.75-11.5 NH	20,0	21,5 nozzle	33	15,0 nozzle	17,0	177,0	90,0	126,0	on request			
.75-11.5 NH	20,0	21,5 nozzle	33	11,5 nozzle	17,0	177,0	90,0	126,0	on request			

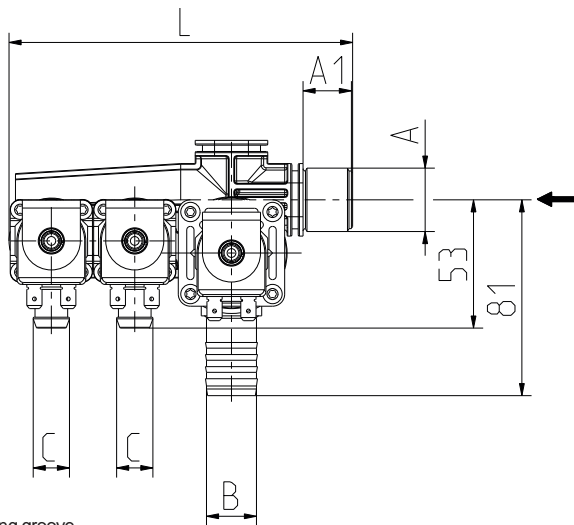
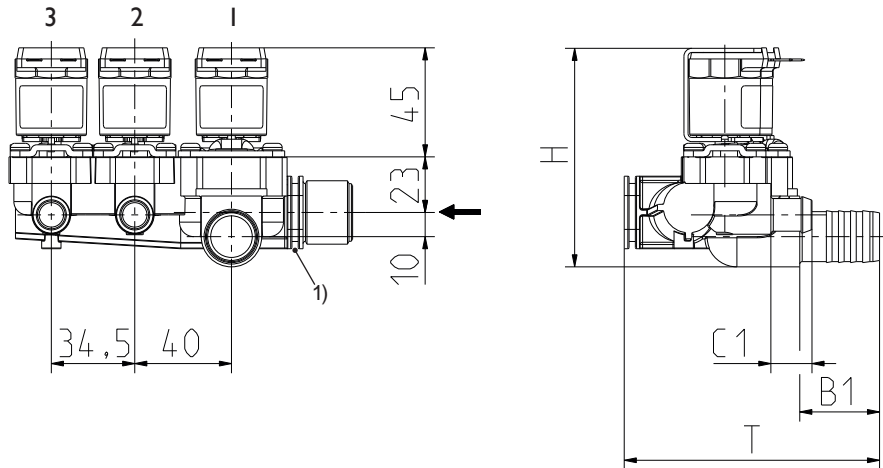


Series 15.017.x25

Further variants on request

Threefold version

15.017.325



1) Fixing groove



15.017.325

Options

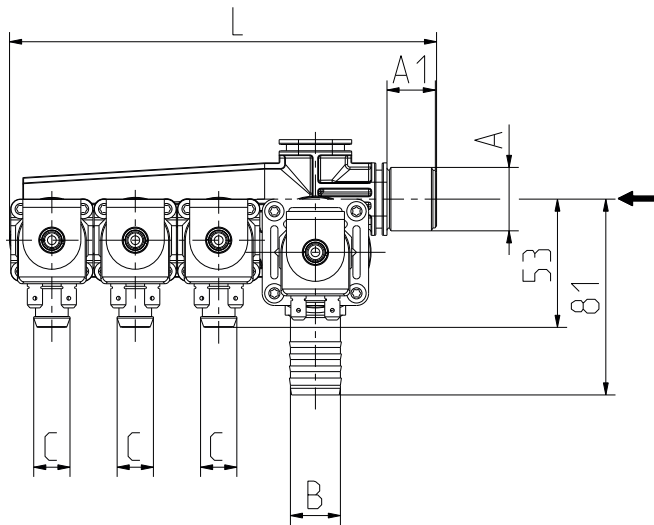
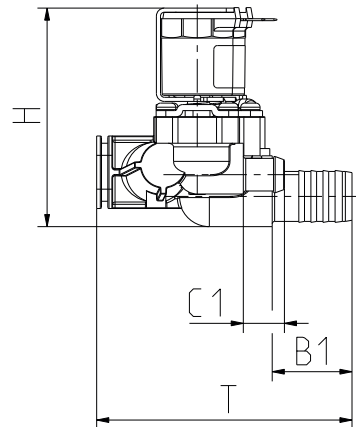
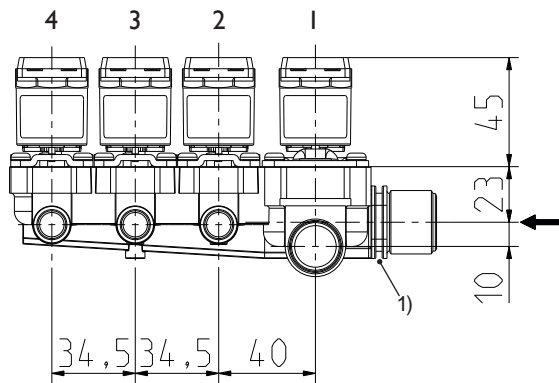
Material	Inlet		Outlet				Length L	Height H	Depth T	
	Ø A	A1	Ø B	B1	Ø C	C1				
PA 6/6 glass fibre reinforced	G 3/4	20,0	21,5 nozzle	33	15,0 nozzle	17,0	142,0	90,0	106,0	on request
PA 6/6 glass fibre reinforced	G 3/4	20,0	21,5 nozzle	33	11,5 nozzle	17,0	142,0	90,0	106,0	on request
PA 6/6 glass fibre reinforced	.75-11.5 NH	20,0	21,5 nozzle	33	15,0 nozzle	17,0	142,0	90,0	106,0	on request
PA 6/6 glass fibre reinforced	.75-11.5 NH	20,0	21,5 nozzle	33	11,5 nozzle	17,0	142,0	90,0	106,0	on request



Series 15.017.x25

Fourfold version

15.017.425



15.017.425

1) Fixing groove

Options

Material	Inlet		Outlet			Length	Height	Depth		
	Ø A	A1	Ø B	B1	Ø C			C1	L	H
PA 6/6 glass fibre reinforced	G 3/4	20,0	21,5 nozzle	33	15,0 nozzle	17,0	177,0	90,0	106,0	on request
PA 6/6 glass fibre reinforced	G 3/4	20,0	21,5 nozzle	33	11,5 nozzle	17,0	177,0	90,0	106,0	on request
PA 6/6 glass fibre reinforced	.75-11.5 NH	20,0	21,5 nozzle	33	15,0 nozzle	17,0	177,0	90,0	106,0	on request
PA 6/6 glass fibre reinforced	.75-11.5 NH	20,0	21,5 nozzle	33	11,5 nozzle	17,0	177,0	90,0	106,0	on request