

Pinch valve, 2/2-way, NO



A.u.K. Müller

Solenoid valves
Control valves
Special valves and systems

A. u. K. Müller GmbH & Co. KG
Dresdener Str. 162
D-40595 Düsseldorf/Germany

Tel.: +49(0)211-7391-0
Fax: +49(0)211-7391-281

e-mail: info@akmueller.de
Internet: www.akmueller.de

Series 16.002.216

MS 40



MS 39



Characteristics

- medium completely separated from valve parts
- chemical resistance depends on the material of the tube selected
- tube can easily be changed
- no dead areas as in usual valve body
- flow in either direction
- coil can be fixed in any position through 360°
- function provides high reliability and run time

Applications

- dosage systems
- laboratory analysis
- medical equipment
- vending machines
- chemical industry

Description

The 16.002.216 pinch valve series is normally open in operation and equipped with a 8 W solenoid coil. Therefore, it exhibits a clamping force of 2,0 N and is applicable for flexible tubes with an outer diameter from 3,0 mm and a shore hardness of 50 - 60°. With these tubing specifications, pressures up to 1,5 bar can be switched.

The flow of the medium is controlled by pinching the inserted tube. This design avoids using the traditional valve seat and membrane which can cause turbulence in the fluid flow and create dead areas in the valve housing where medium or dirt can collect.

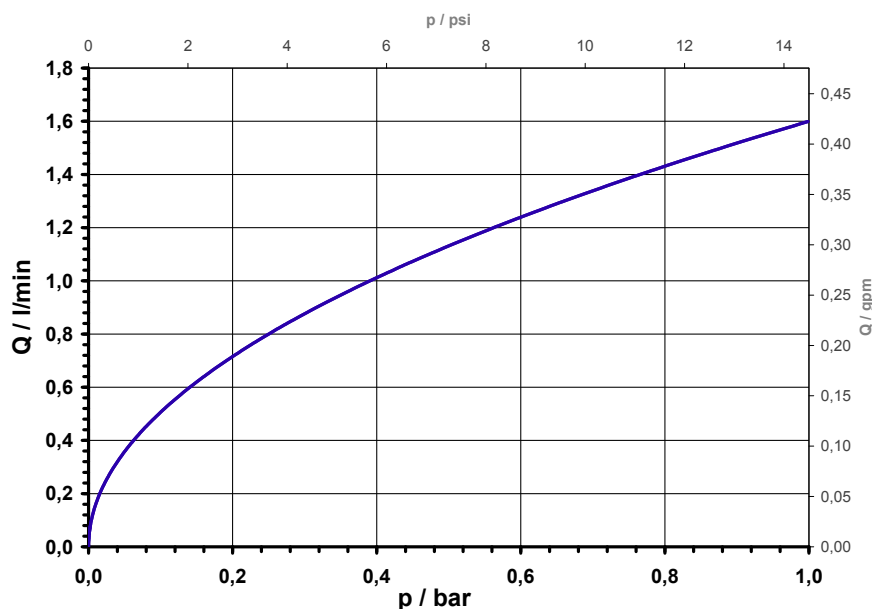
The valve is particularly suitable for applications where a high level of hygiene is required.

The resistance against chemicals depends on the selected material of the tube.

Note:

The volume flow always depends on the geometry and condition of the tube used.

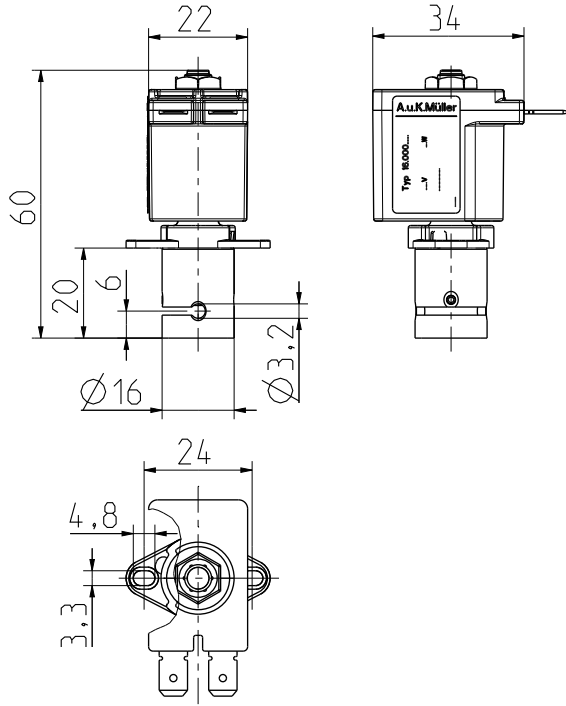
Typical Performance Curve
Silicone tube AD 2,0 x OD 2,8; 60°Sh; length 30cm
Medium: Water at 25°C; Free Outlet





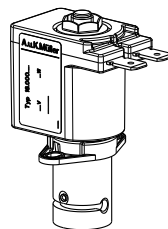
Series I6.002.216

MS 39



Materials	
Valve body	aluminium (surface refined)
Fixing flange	PA 66, glass fibre reinforced
Plunger guide	aluminium
Plunger and spring	stainless steel
Coil coating	PA 6, glass fibre reinforced

MS 39



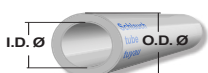
Technical Data

Type	pinch valve	
Construction	2/2-way solenoid valve, direct acting	
Function	NO (normally open)	
Fitting position	any	
Media	depends on tube	
T-Medium	5 - 90 °C	(41 - 194 °F)
T-Ambient	-10 - +60 °C	(14 - 140 °F)
p-Operating	0 - 1,5 bar (0 - 21,75 psi) (depending on tube)	
Coil type	MS 39 MS 40 (on request)	
Nominal voltages	see coils other voltages on request	
Voltage tolerance	±10%	
Duty cycle	100%	
Protection Type	see coils	
Coil connections	MS 39: Flat plug (IP00) 6.3 x 0.8 mm, MS 40: Cable plug (IP65), flat plug 6.3 x 0.8 mm Type B industry	
Insulation class	H	according to EN 60730
Protection class	see coils	according to EN 60730

Options

I.D. Ø	O.D. Ø	Wall Thickness	Shore-Hardness	Nominal power consumption / W	ID
1,5	3,0	0,75	60°±5°	8,0	052157
2,0	2,8	0,4			
2,0	3,0	0,5			

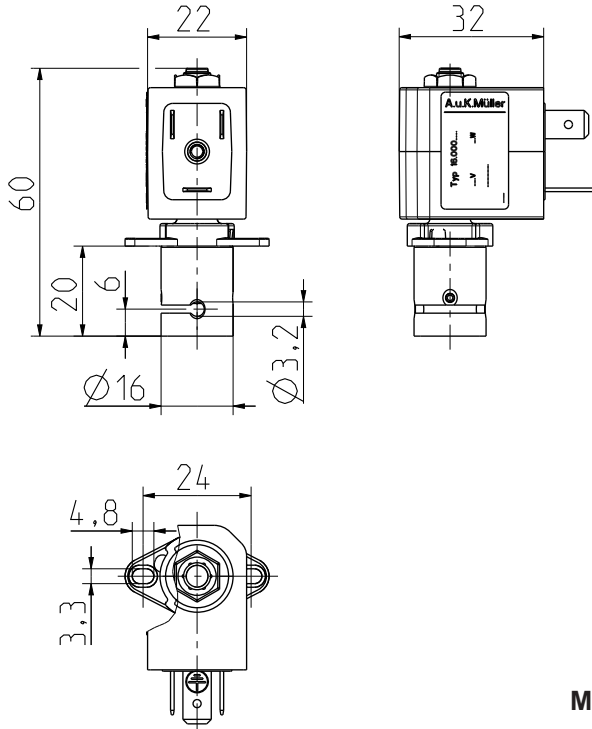
Range of possible outer diameter (O.D.Ø) of tube: 2,8 - 3,0 mm.
The wall thickness should not deviate from the one given in the upper table.
The valve may only be operated with inserted tube.



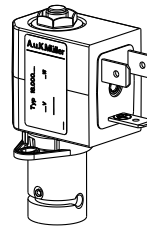


Series I6.002.216

MS 40



MS 40



Materials

Valve body	aluminium (surface refined)
Fixing flange	PA 66, glass fibre reinforced
Plunger guide	aluminium
Plunger and spring	stainless steel
Coil coating	PA 6, glass fibre reinforced

Options

I.D. Ø	O.D. Ø	Wall Thickness	Shore-Hardness	Nominal power consumption / W	ID
1,5	3,0	0,75	60°±5°	8,0	on request
2,0	2,8	0,4			
2,0	3,0	0,5			

Range of possible outer diameter (O.D.Ø) of tube: 2,8 - 3,0 mm.
The wall thickness should not deviate from the one given in the upper table.
The valve may only be operated with inserted tube.

Coils

Designation	Protection Type	Protection Class	Nominal voltages	
MS 39 	IP00	III	12 24	V DC V DC
MS 40 	IP65	I	12 24	V DC V DC

