

Pinch valve, valve housing from high performance plastic. 2/2-way, NC



A.u.K. Müller

Solenoid valves
Control valves
Special valves and systems

A. u. K. Müller GmbH & Co. KG
Dresdener Str. 162
D-40595 Düsseldorf/Germany

Tel.: +49(0)211-7391-0
Fax: +49(0)211-7391-281

e-mail: info@akmueller.de
Internet: www.akmueller.de

Series 16.003.525



Characteristics

- medium completely separated from valve parts
- chemical resistance depends on the material of the tube in use
- tube can easily be changed
- no dead areas as in usual valve body
- flow in either direction
- coil can be fixed in 4 x 90° positions
- Function provides high reliability and run time

Applications

- dosage systems
- laboratory analysis
- medical equipment
- vending machines

Description

The 16.003.525 pinch valve series is normally closed in operation and equipped with a 9,5 W solenoid coil. Therefore, it exhibits a clamping force of 6 N and is applicable for flexible tubes with a wall thickness of 1 mm with an outer diameter from 4,0 to 5,0 mm and a shore hardness of 60°. With these tubing specifications, pressures up to 1,5 bar can be switched.

The valve with a valve housing made of a high-performance plastic is an inexpensive alternative to the valve types 16.003.125 with aluminum housing. In addition the valve offers the advantage of smaller height and lower weight.

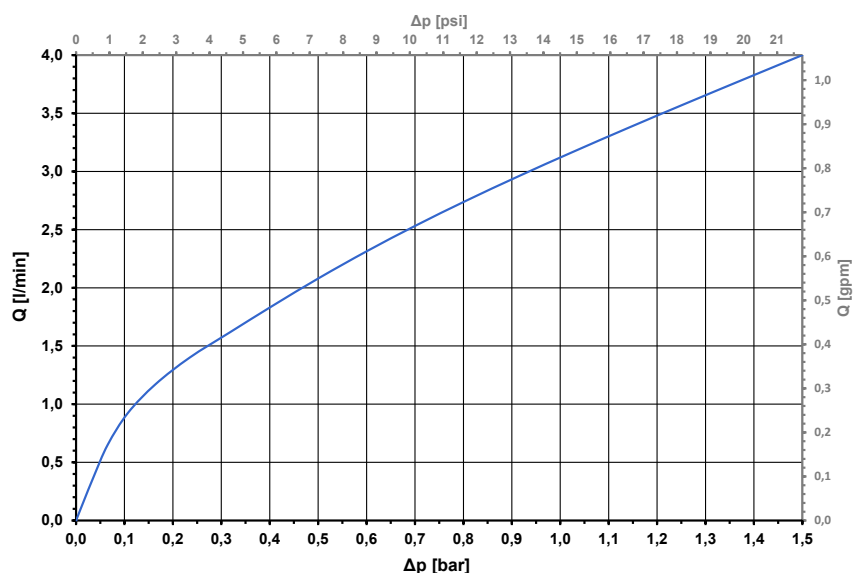
The flow of the medium is controlled by pinching the inserted tube. This design avoids using the traditional valve seat and membrane which can cause turbulence in the fluid flow and create dead areas in the valve housing where medium or dirt can collect.

The valve is particularly suitable for applications where a high level of hygiene is required.

The resistance against media temperature and chemicals depends on the selected material of the tube.

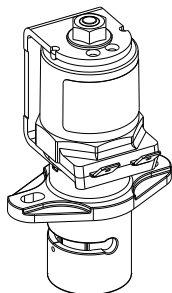
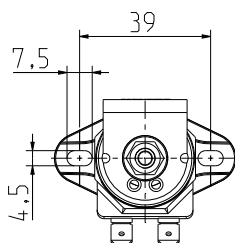
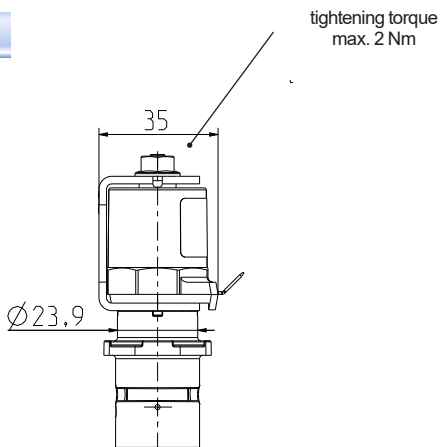
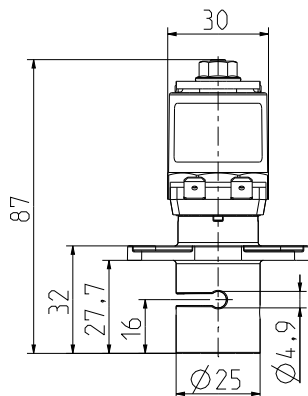
The pinch valves can be used in any mounting position.

Typical Performance Curve
Silicone tube 3x1; 60°Sh; length 30cm
Medium: Water at 25°C; Free Outlet





Series I6.003.525



Technical Data

Type	pinch valve	
Construction	2/2-way solenoid valve, direct acting	
Function	NC (normally closed)	
Fitting position	any	
Media	depends on tube	
T-Medium	up to 90 °C (up to 194 °F max.)	
T-Ambient	-10 – +50 °C (14 – 122 °F)	
p-Operating	0 - 1,5 bar (0 - 21,76 psi) (depending on tube)	
Coil type	MS 06	
Nominal voltages	24	V DC
	other voltages on request	
Voltage tolerance	+10%/-15%	
Duty cycle	100%	
Protection Type	IP 00	
Coil connections	flat tabs 6,3 x 0,8 mm (IP 00)	
Insulation class	F	according to EN 60730

Materials

Valve body and fixing flange	PA 6, glass fibre reinforced
Plunger guide	stainless steel
Plunger and spring	stainless steel
Coil coating	PBT

Options

I.D. Ø	O.D. Ø	Wall Thickness	Shore-Hardness	Clamping-Force / N	Nominal power consumption / W	ID
3,0	5,0	1,0	60°±5°	6,0	9,5	52165

Range of possible outer diameter (O.D.Ø) of tube: 4,0 - 5,0 mm.
 The wall thickness should not deviate from the one given in the upper table.
 The valve may only be operated with inserted tube.



Product Information

Pinch valve, valve housing from high performance plastic 2/2-way, NC



A.u.K. Müller

Series I6.003.525

Variant with 180 ° twisted mounting flange
ID: 52166

