

Pinch valve, 2/2-way, NO



A.u.K. Müller

Solenoid valves
Control valves
Special valves and systems

A. u. K. Müller GmbH & Co. KG
Dresdener Str. 162
D-40595 Düsseldorf/Germany

Tel.: +49(0)211-7391-0
Fax: +49(0)211-7391-281

e-mail: info@akmueller.de
Internet: www.akmueller.de

Series 16.006.230



Characteristics

- medium completely separated from valve parts
- chemical resistance depends on the material of the tube selected
- tube can easily be changed
- no dead areas as in usual valve body
- flow in either direction
- coil can be fixed in any position through 360°
- function provides high reliability and run time
- fast and secure fastening option via 2 screw connection points

Applications

- dosage systems
- laboratory analysis
- medical equipment
- vending machines

Description

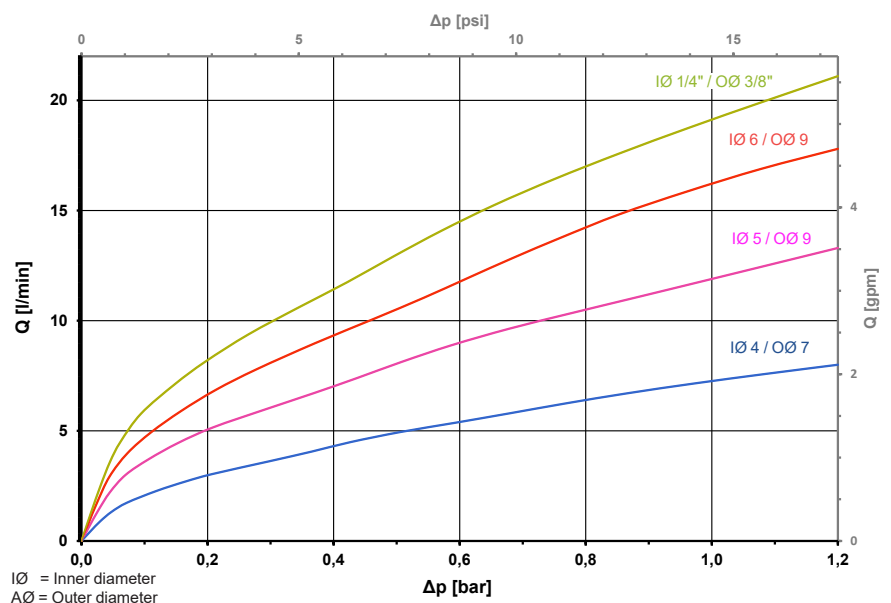
The 16.006.230 pinch valve series is normally open in operation and equipped with a 20 W solenoid coil. This Valves are applicable for flexible tubes with an outer diameter from 9,5 mm (3/8") mm and a shore hardness of 50-60°. With these tubing specifications, pressures up to 1,2 bar can be switched.

The flow of the medium is controlled by pinching the inserted tube. This design avoids using the traditional valve seat and membrane which can cause turbulence in the fluid flow and create dead areas in the valve housing where medium or dirt can collect.

The valve is particularly suitable for applications where a high level of hygiene is required.

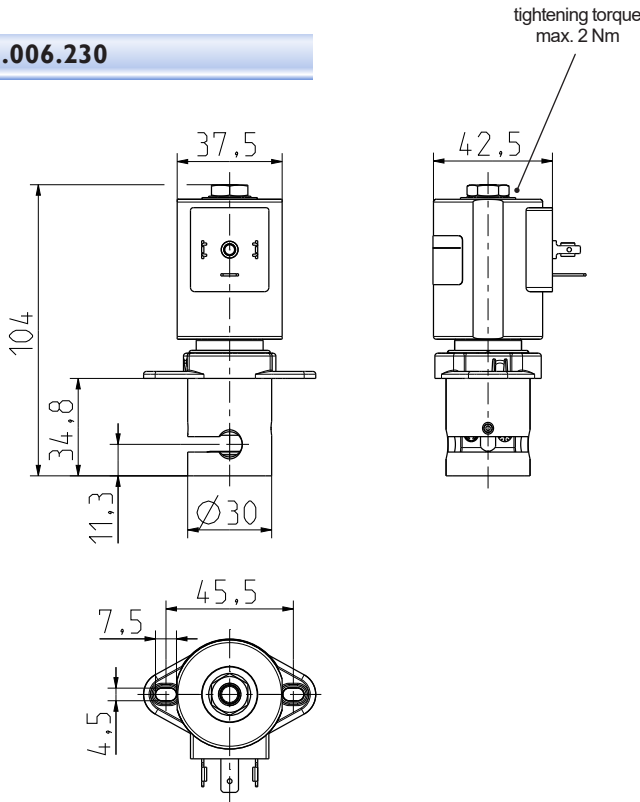
The resistance against chemicals depends on the selected material of the tube.

Typical Performance Curve
measured under laboratory conditions; tube length ≈ 25 cm





Series I6.006.230

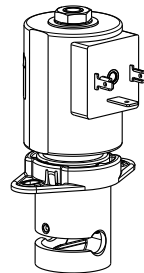


Technical Data

Type	pinch valve	
Construction	2/2-way solenoid valve, direct acting	
Function	NO (normally open)	
Fitting position	any	
Media	depends on tube	
T-Medium	5 - 90 (41 - 194)	°C max. °F max.)
T-Ambient	-10 – +60 (14 – 140)	°C °F)
p-Operating	0 - 1,2 bar (0 - 17,4 psi) (depending on tube)	
Coil type	MS 44	
Nominal voltages	24	V DC
	other voltages on request	
Voltage tolerance	±10%	
Duty cycle	100%	
Protection Type	IP 65	
Coil connections	plug socket according to EN 175301-803 (IP65)	
Insulation class	H	according to EN 60730
Protection class	III	according to EN 60730
RoHs compliant		

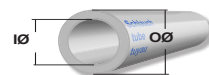
Materials

Valve body	aluminium (surface refined)
Fixing flange	PA 66, glass fibre reinforced
Plunger guide	aluminium, PTFE
Plunger and spring	stainless steel
Coil coating	thermoplastic



Options

IØ	OØ	Wall Thickness	Shore-Hardness	Pressure Range	Nominal power consumption	ID
mm/inch	mm/inch	mm/inch		bar	W	
4,0	7,0	1,5	60°±5°	0 - 1,2	20	52172
5,0	9,0	2				
6,0	9,0	1,5				
1/4"	3/8"	1/16"				



Remark:

Range of possible outer diameter (OØ) of tube: 7,0 - 9,5 mm (3/8").
The wall thickness should not deviate from the one given in the upper table.
The valve may only be operated with inserted tube.