

Miniature valve, latching

Product Information



A. u. K. Müller

Solenoid valves
Control valves
Special valves and systems

A. u. K. Müller GmbH & Co. KG
Dresdener Str. 162
D-40595 Düsseldorf/Germany

Tel.: +49(0)211-7391-0
Fax: +49(0)211-7391-281

e-mail: info@akmueller.de
Internet: www.akmueller.de

Series 19.00x.287



Description

The latching, direct controlled 2/2 way valve 19.00x.287, available with nominal orifice of 0,5 mm or 0,8 mm, is used as dosing valve or block valve in parallel fluid handling as well as pilot valve for servo controlled main valves in a pressure range up to 10 bar.

By combination of the pilot valve with servo components, the control of larger volume flows can be easily implemented and allows the flexible realization of different flow paths. Furthermore, a high level of serviceability is achieved by an easy replaceable component.

The valve is characterized by its compact design and low power consumption. The power consumption is minimised by use of rectangular pulse control to increase long-term performance, durability and battery life.

Also available as mono stable type, see separate data sheet.

Applications

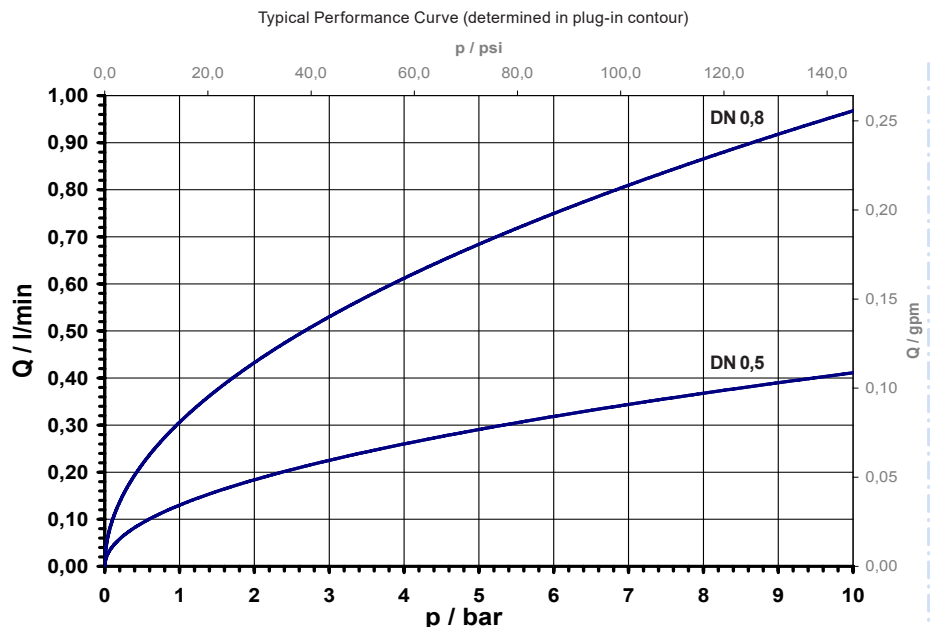
- Dosing valve for small quantities
- Sampling valve
- Block valve in fluid manifolds
- Pilot valve unit for servo controlled main valves

Characteristics

- Direct acting valve with miniaturized design
- Plug-in valve with a station width of 15 mm
- Latching version
- Low power consumption, suitable for battery operation
- Fast switching times
- Suitable for hot water up to 70 °C
- Ambient temperature up to 60 °C
- Suitable for the thermal as well as chemical disinfection
- Hygiene benefit by 100% final testing with air
- Long term performance capability by the use of high quality materials
- Testing of each device ensures highest quality standard

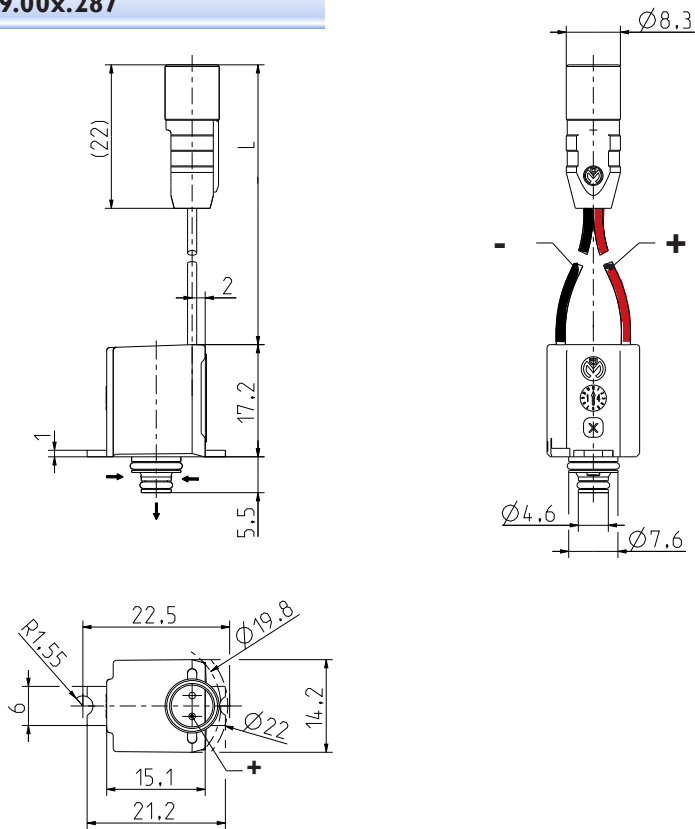
Approvals

- KTW-BWGL System 1+
- ACS
- WRAS





Series 19.00x.287



Technical Data

Type	miniature valve	
Construction	2/2-way-plug-in, direct controlled	
Function	latching, pulse controlled	
Fitting position	any	
Media	cold and heated potable water and physically and chemically similar media	
T-Medium	5 - 70	°C
T-Ambient	5 - 60	°C
p-Operating	0 - 10,0	bar
Pulse shape/-time 6 V DC		
Pulse shape/-time 3, 9, 12 V DC		
Protection type	IP 65	
Insulation class	B	according to EN 60730

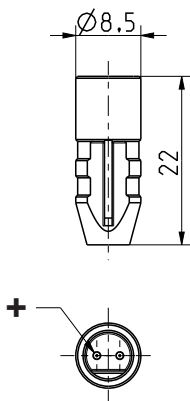
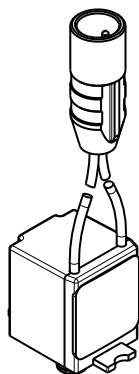
Materials

Plunger guide and valve body	LCP
Plunger and spring	stainless steel
Seal	EPDM (VMQ on request)
O-Rings	EPDM
Coil coating	hotmelt

Options

DN	Cv @ 1 bar	Nominal power	Nominal voltage	Operating voltage
				at T-Ambiant 25 °C
0,5	0,13 l/min	1,3 W	3 V DC	2,4 - 3,3 V DC open/close
		1,4 W	6 V DC	4,0 - 6,9 V DC open/close
		1,5 W	9 V DC 12 V DC	6,0 - 10,4 V DC open/close 8,4 - 14,4 V DC open/close
0,8	0,31 l/min	1,8 W	6 V DC	4,7 - 7,5 V DC open/close

other voltages on request



Male connector

Polarity of connector:
 strand color RED Pin 1 PLUS(+) pulse to open
 strand color BLACK MINUS(-)

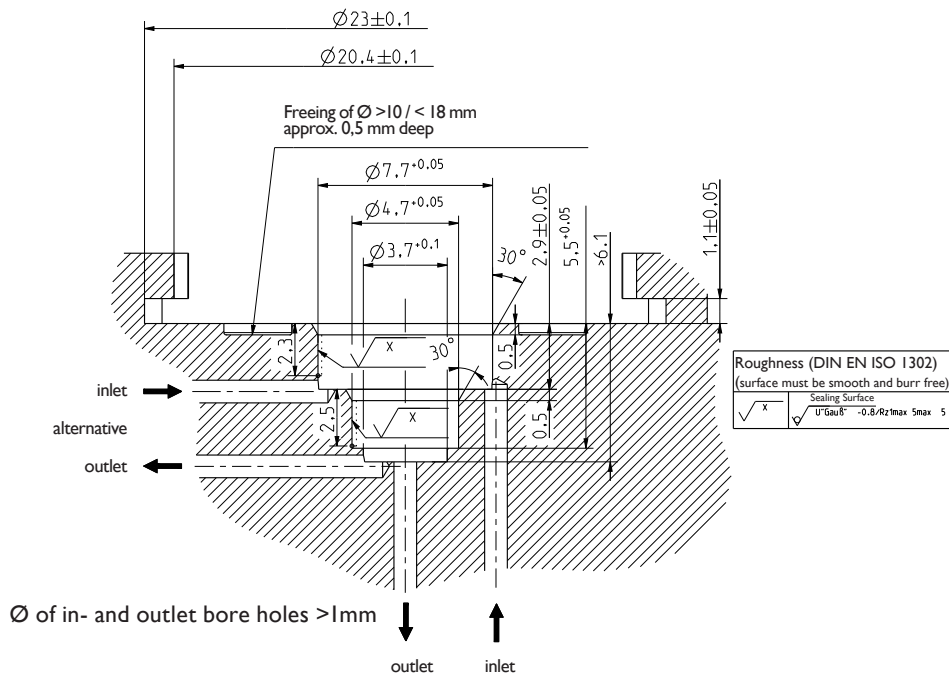
Special cables or strands without connector (IP00) on request.



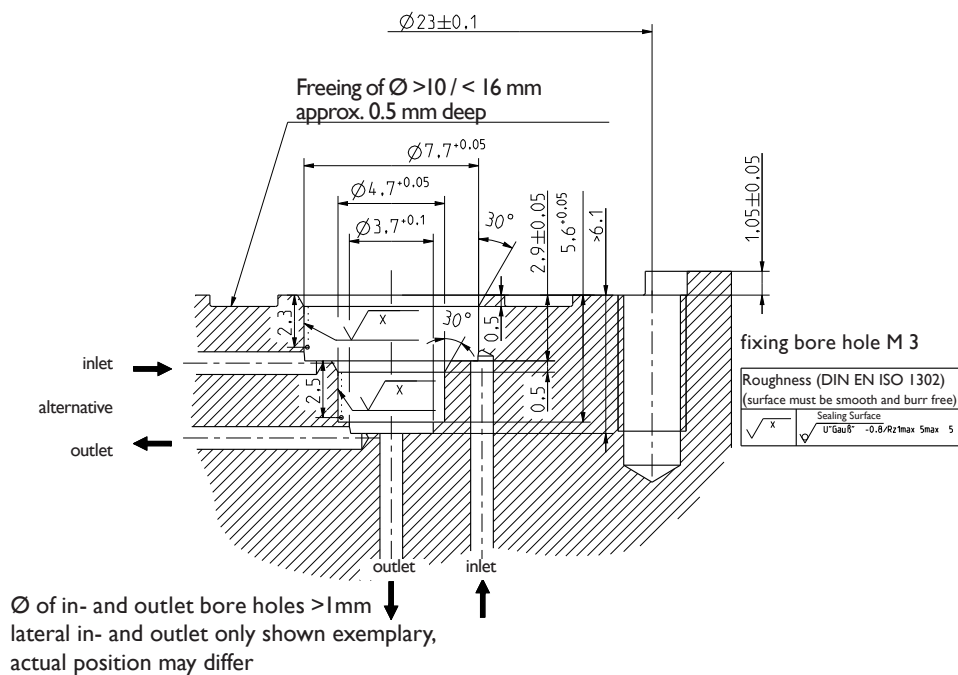
Series 19.00x.287

Plug in contours

Bayonet fixing



Screwed fixing





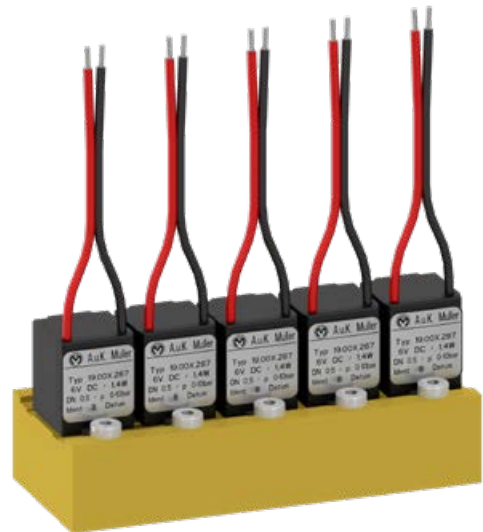
Series 19.00x.287

Application examples

Integration of cartridge valve in adapter housing as single valve or manifold application.



Adapter body
single valve



Valve manifold



Installation example

Adapter body or manifold on request.