

Product Information

Float Valve, DN 10



A.u.K. Müller

Solenoid valves
Control valves
Special valves and systems

A. u. K. Müller GmbH & Co. KG
Dresdener Str. 162
D-40595 Düsseldorf/Germany

Tel.: +49(0)211-7391-0
Fax: +49(0)211-7391-281

e-mail: info@akmueller.de
Internet: www.akmueller.de

Series 21.010.110



patented technology

Characteristics

- Servo-controlled
- Redirection of flow by 90°
- Operation largely independent from inlet pressure
- Easy to assemble and service
- Compact design
- For heated water up to 60 °C
- Adjustable level height
- High operating safety through the use of high quality materials and 100% final testing of the products

Description

Servo-controlled valve nominal diameter DN 10, which closes by means of buoyancy of a floater to control level in tanks.

If liquid is drained from the tank, the float valve refills automatically and closes when the maximum level has been reached.

The outlet jet is directed on to a guide, which pushes the lever to closed. This effects a relative constant flow, covering a wide pressure range. An overflow of small tanks will be prevented during the initial filling.

By reaching a sufficient level within the tank during refill, the final closing procedure is due to the buoyancy of the float body.

Valves of this design are single chamber valves with the inlet ninety degrees to the outlet. The valve, having a glass fibre reinforced polyamid housing, can be manufactured with various connections and is suitable up to 60° by using a PE-floater.

Applications

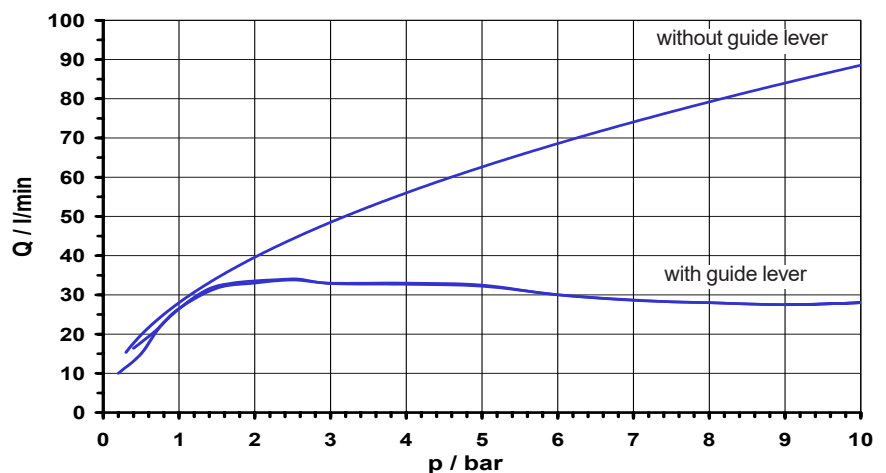
- Tank filling
- Irrigation systems
- High pressure cleaning devices
- Ice machines
- Industrial appliances

Approvals

Approved versions available on request:

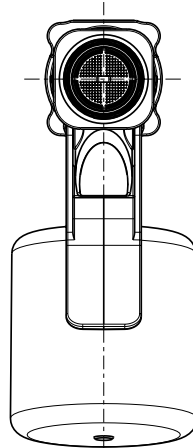
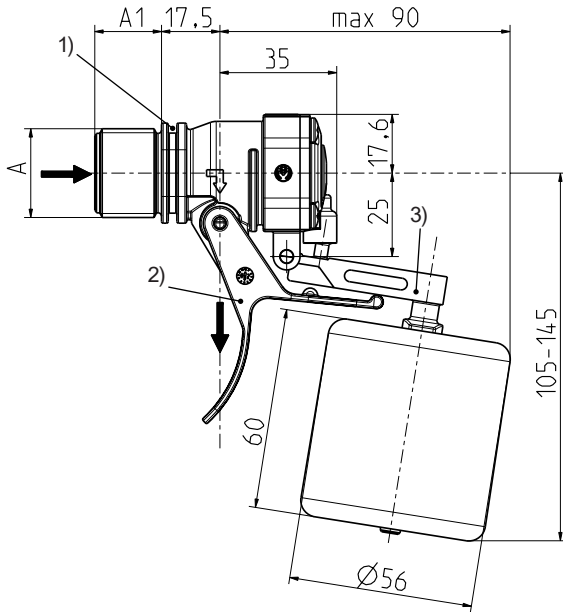
- KTW-BWGL System 1+
- Others on request

Typical Performance Curve





Series 21.010.110



- 1) Fixing groove
- 2) Guide lever
- 3) Float lever

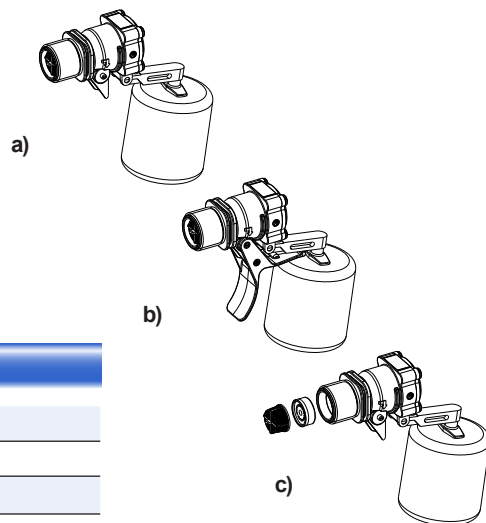
Technical Data

Type	float valve	
Construction	2/2-way single chamber valve inlet ninety degree to outlet, servo-controlled	
Function	closed by buoyancy of float	
Fitting position	float vertically downwards	
Media	cold and heated potable water and physically and chemically similar media	
T-Medium	5 - 30 °C PS	5 - 60 °C PE
T-Ambient	as per T-Medium	
DN	10	mm
p-Operating	0,3 - 10,0	bar
Flow factor Kv	28	l/min
Flow direction	marked by arrow	
Float body	position adjustable	
Filter	fitted in inlet	

Materials

Valve body	PA 66 glass fibre reinforced
Membrane	EPDM, VMQ on request
Sealings	EPDM
Float cylinder	PE-foam, polystyrene on request
Float lever	POM
Guide lever	POM
Filter	POM stainless steel on request

Versions see next page



Options

Material	Inlet		Outlet	
	Ø A	A1	Ø	
PA 66	G 1/2	15,0	10,0	
PA 66	G 3/4	20,0	10,0	
PA 66	G 3/4	30,0	10,0	
PA 66	.75x11.5 NH	20,0	10,0	on request
PA 66	G 3/4 female	30,0	10,0	
PA 66	.75x11.5 NH female	30,0	10,0	



Series 21.010.110

Versions on request

	Guide lever	Flow regulator in inlet		<p>The individual flow rate has to synchronised with the water surface area within tank at float level height</p>
a)	<input type="radio"/>	<input type="radio"/>		No flow restriction. A restriction of the pressure range (e.g. 0,5 - 8 bar) may be recommended, if the rise of the water level within the tank may lead to an overflow by a gush of water.
b)	<input checked="" type="radio"/>	<input type="radio"/>		Flow restriction above 1,5 bar to approx. 35 l/min.
c)	<input type="radio"/>	<input checked="" type="radio"/>		Flow restriction above 1 bar. Depends on the used flow regulator with reduced tolerance compared to b) For small tanks a flow restriction ≤ 20 l/min is recommended e.g. flow regulator MR04 or MR06 in inlet of valve is recommended.

● recommended ○ not needed

The choice of flow restriction **b)** or **c)** is derived by the max. required in flow [e.g. in l/min] of the tank.

