

Product Information

Float valve, DN 17, float ball



A.u.K. Müller

Solenoid valves
Control valves
Special valves and systems

A. u. K. Müller GmbH & Co. KG
Dresdener Str. 162
D-40595 Düsseldorf/Germany

Tel.: +49(0)211-7391-0
Fax: +49(0)211-7391-281

e-mail: info@akmueller.de
Internet: www.akmueller.de

Series 21.017.126



Characteristics

- Proportional behaviour (flow depends on position of float lever)
- Servo-controlled
- Operation largely independent from inlet pressure
- Easy to assemble and service
- Compact design
- Suitable for heated water up to 90 °C
- Floater adjustable
- Different lever dimensions available (on request)
- High operating safety by the use of high quality materials and 100% final testing of the products

Applications

- Tank filling
- High pressure cleaning devices (system separation according to EN 1717)
- Washing systems
- Irrigation systems
- Industrial appliances

Description

Servo-controlled valve nominal diameter DN 17, which closes by means of buoyancy of a floater to control level in tanks.

If liquid is drained from the tank, the float valve refills automatically and closes when the maximum level has been reached.

While water level and floater rises, the flow into the tank is throttled proportional to the levers position.

An overflow of small tanks will be prevented during the initial filling.

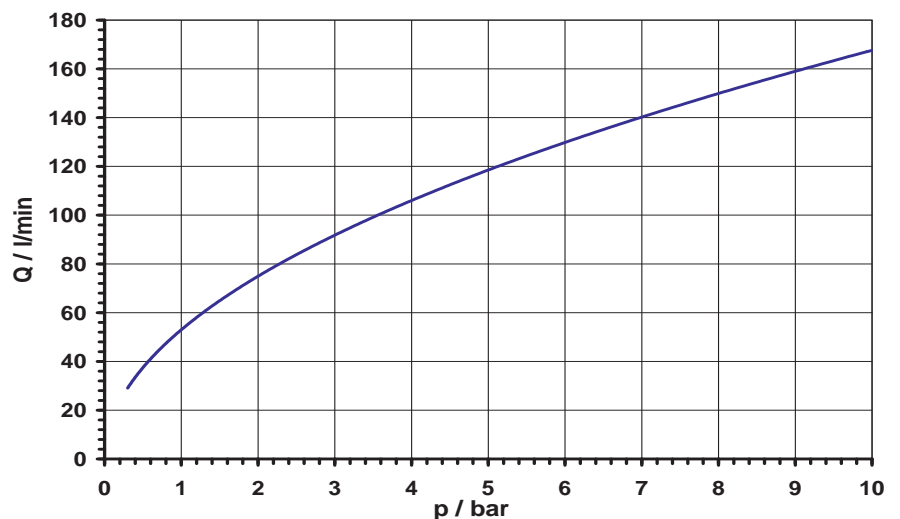
Valves of this design are single chamber straight valves with a glass fibre reinforced polyamid elbow nozzle as outlet.

Possible approvals

Approved versions available on request:

- KTW/W270
- WRAS
- Others on request

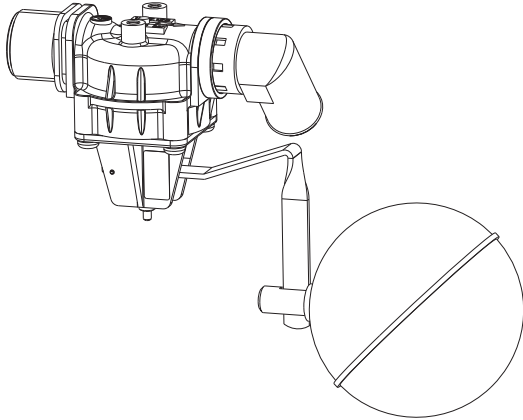
typical performance curve





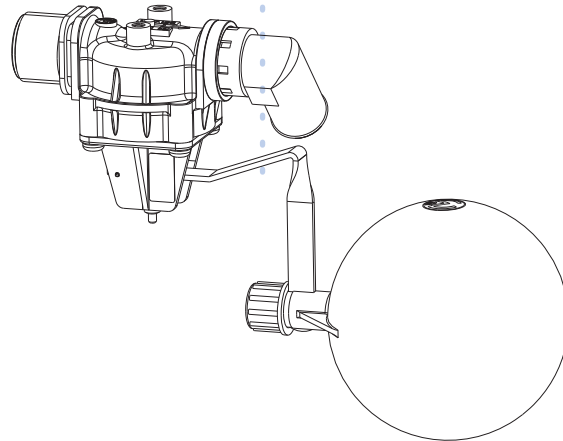
Series 21.017.126

Technical Data



Float ball: stainless steel Tm: 90°C

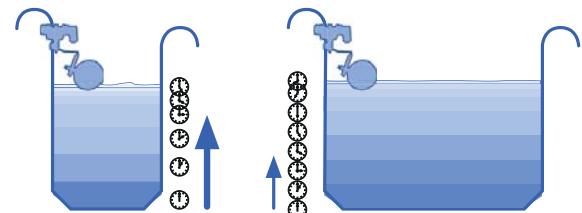
| | | |
|-------------------------|--|-------------------------|
| Type | float valve | |
| Construction | 2/2-way single chamber straight valve , elbow nozzle as outlet, servo-controlled | |
| Function | closed by buoyancy of floater | |
| Fitting position | floater pointing downwards | |
| Media | cold and heated potable water and physically and chemically similar media | |
| T-Medium | 90 | °C max. stainless steel |
| | 60 | °C max. PPH |
| T-Ambient | as per T-Medium | |
| DN | 17 | mm |
| p-Operating | 0,3 - 10,0 bar | |
| Cv-value | 53 | l/min |
| Flow regulator | on request | |
| Float ball | position adjustable | |



Float ball: PPH Tm: 60°C

Materials

| | |
|------------------------------|--|
| Valve body | PA 66 glass fibre reinforced |
| Elbow nozzle | PA 66 glass fibre reinforced |
| Metal parts in medium | stainless steel |
| Membrane and sealings | EPDM |
| Float ball | stainless steel (1.4301) PPH (on request) |
| Float lever | brass CW508L 10x2 |
| Filter (at inlet) | stainless steel |



rise speed of water level

Elbow nozzle

remove elbow nozzle

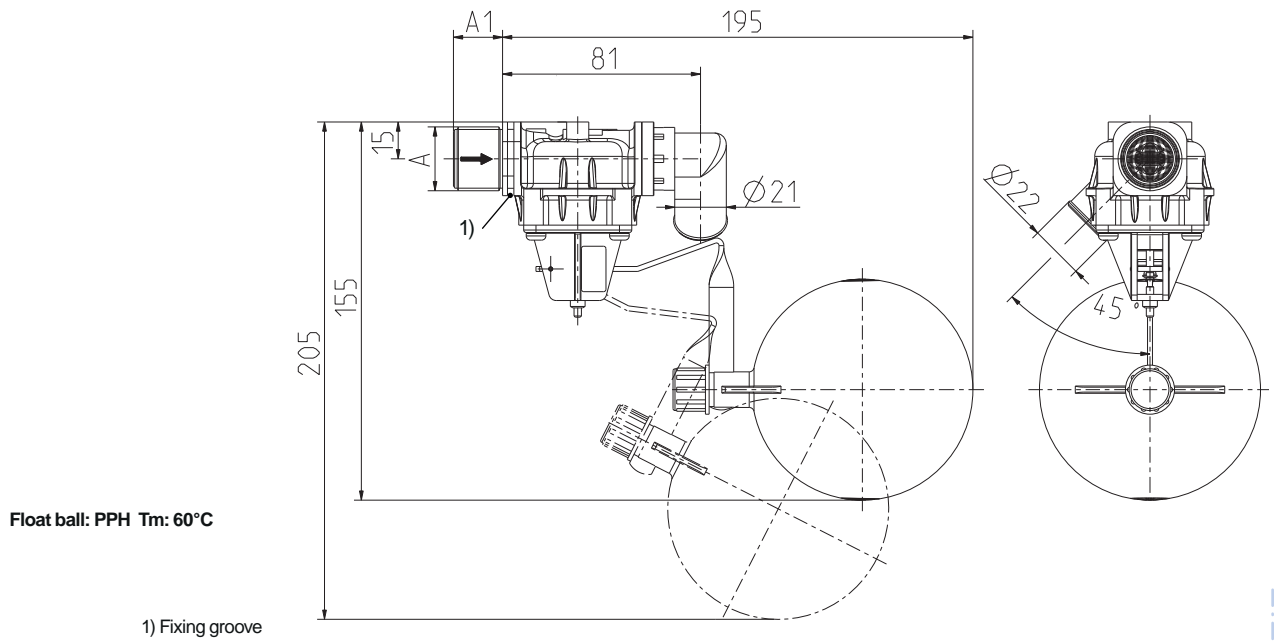
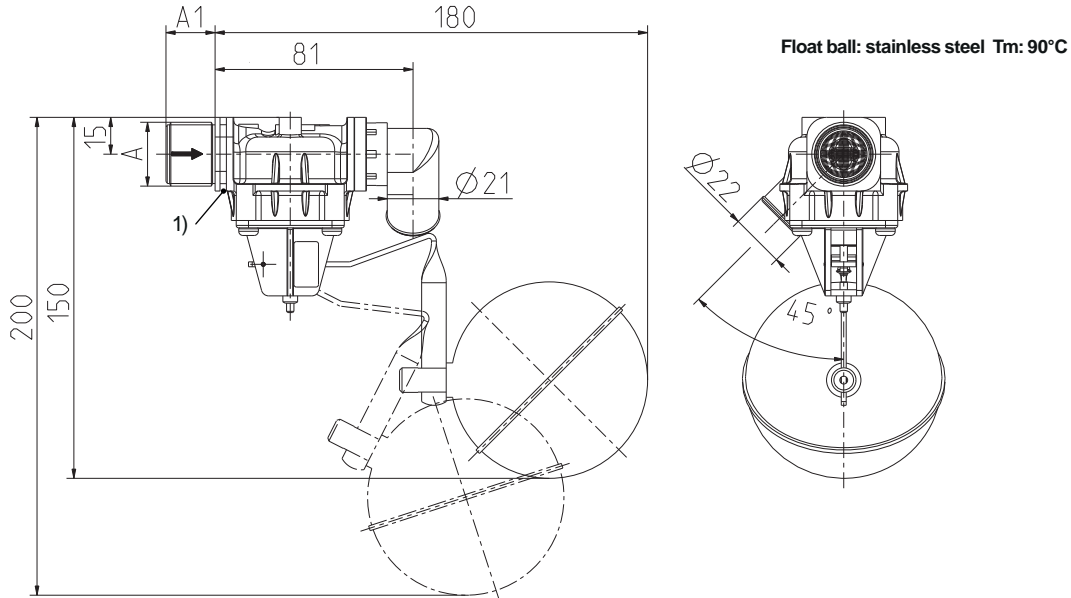
shift ring

draw nozzle





Series 21.017.126



Options

| Material | Inlet | |
|----------|-------|------|
| | Ø A | A1 |
| PA 66 | G 3/4 | 20,0 |

