

# Product Information

## Solenoid valve NC, DN 10 three chambers

Series 29.010.326



### Description

2/2-way solenoid valve of nominal diameter DN 10 for use with cold and heated potable water and physically and chemically similar media. The valve is servo-controlled and normally closed (NC).

Valves of this design are three chamber straight valves and can be manufactured with various connections.

The flow path of the inlet is divided downstream the first chamber into two subsequent chambers, which have to be operated separately. The function is similar to two single valves assembled in line with a redirection of a flow path.

One of the outgoing chamber can be designed as a direct acting valve on request and will close completely in case of low pressure

Coil systems for common voltage and frequency ranges are available.

Electrical operating safety is achieved by insulation class F and can be supported by an integrated protective circuit.

By using high quality insulation materials, continuous duty (100 % ED) at higher medium temperatures is possible. The glass fibre reinforced polyamide valve body persists hot water. Protection against corrosion of inner parts exposed to the medium is achieved by using stainless steel.

### Applications

- irrigation systems
- industrial appliances
- air conditioning
- pollution equipment
- dish washers
- washing machines
- water treatments



## A.u.K. Müller

Solenoid valves  
Control valves  
Special valves and systems

A.u.K. Müller GmbH & Co. KG  
Dresdener Str. 162  
D-40595 Düsseldorf/Germany

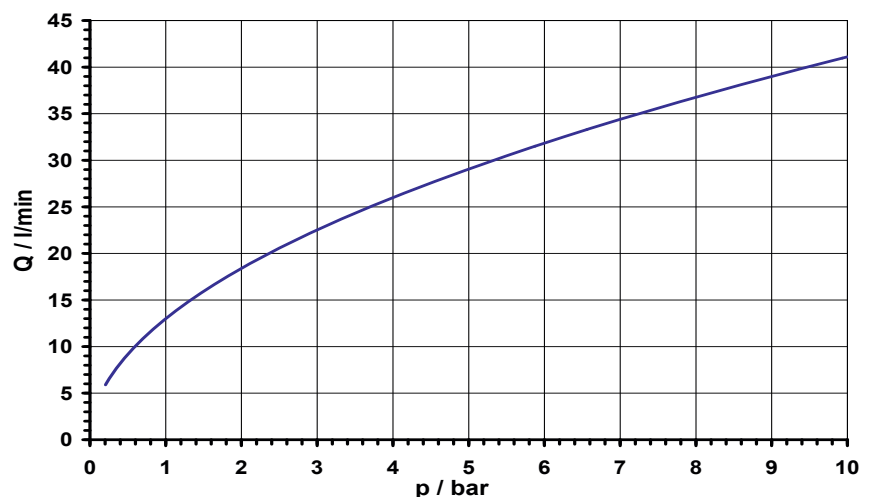
Tel.: +49 211 7391-0  
Fax: +49 211 7391-281

e-mail: info@akmueller.de  
Internet: www.akmueller.de

### Characteristics

- servo-controlled
- normally closed (NC)
- long term performance capability
- suitable for hot water up to 90 °C
- easy to assemble and service
- solenoid replaceable while medium circuit remains untouched, solenoid rotatable 4 x 90°
- any fitting position
- high operating safety through the use of high quality materials and 100% final testing of the products

typical performance curve

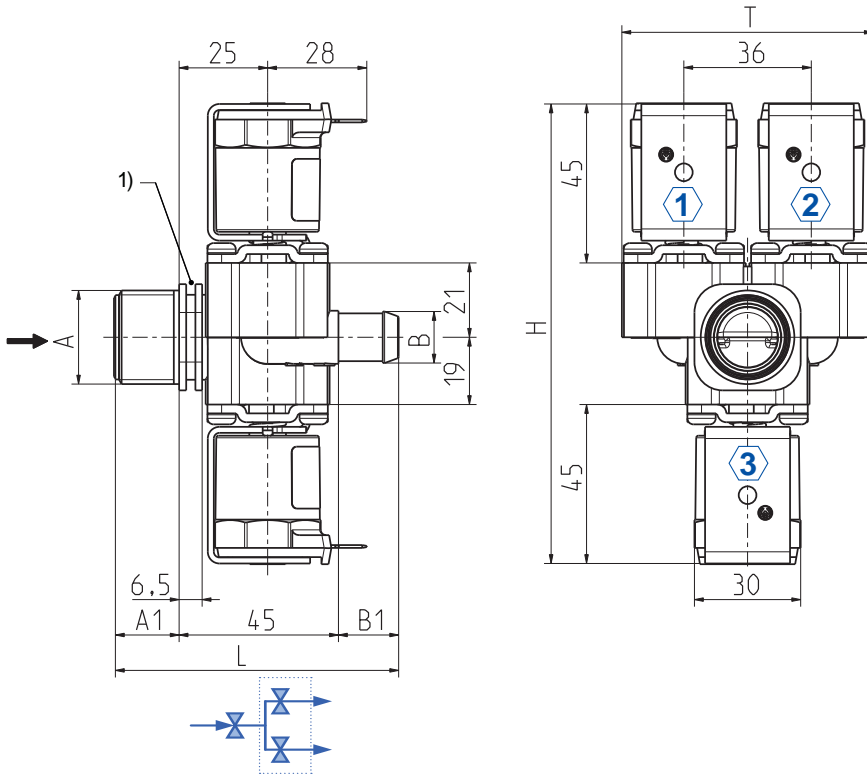


## Solenoid valve NC, DN 10 three chambers



A.u.K. Müller

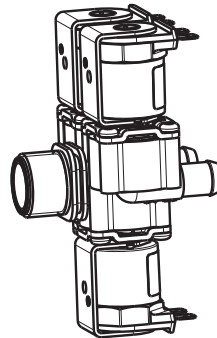
### Series 29.010.326



1) Fixing groove  
①, ②, ③ valve chamber

### Materials

Valve body	PA 66, glass fibre reinforced
Plunger guide	stainless steel
Plunger	stainless steel
Membrane and sealings	EPDM
Coil coating	PBT, PET or epoxy resin
Filter	POM (in inlet)



### Technical Data

Type	solenoid valve	
Construction	2/2-way three chambers, servo-controlled	
Function	NC (normally closed)	
Fitting position	any	
Media	cold and heated potable water and physically and chemically similar media	
T-Medium	90	°C max.
T-Ambient	70 (60)	°C max. USA and coils MS.024, MS.025
DN	10	mm
p-Operating	0,2 - 10 bar	
Cv-value	13	l/min
Flow regulator	on request	
Pressure surge	according to EN 60730	
Coil type	MS.006, MS.024, MS.025	
Nominal voltages	220 - 240	V AC 50-60 Hz
	110	V AC 50 Hz
	110 - 127	V AC 60 Hz
	24	V AC 50/60 Hz
	12	V AC 50/60 Hz
	24	V DC
	12	V DC
	other voltages on request	
Voltage tolerance	+10% -15%	
Duty cycle	100%	
Nominal power	8,5 W	13 VA (AC only)
Protection type	IP 00 up to IP 68	
Coil connections	flat tabs 6,3 x 0,8 mm plug socket according to EN 175301-803 (IP65), several cable connections (IP67, IP68)	
Insulation class	F	according to EN 60730
Protection class	I	according to EN 60730 (for incorporation in class I)

### Options

Material	Inlet		Outlet		Length L	Height H	Depth T
	Ø A	A1	Ø B	B1			
PA 66	G 3/4	18,0	2x 14,5 nozzle	17,0	80,0	130,0	71,0
PA 66	G 3/4	18,0	2x 12,0 nozzle	17,0	80,0	130,0	71,0

