

Solenoid Valve NO (normally open), DN 10

Product Information



A. u. K. Müller

Solenoid valves
Control valves
Special valves and systems

A. u. K. Müller GmbH & Co. KG
Dresdener Str. 162
D-40595 Düsseldorf/Germany

Tel.: +49(0)211-7391-0
Fax: +49(0)211-7391-281

e-mail: info@akmueller.de
Internet: www.akmueller.de

Series 36.010.126



Characteristics

- Servo-controlled
- Normally open (NO)
- Solenoid replaceable while medium circuit remains untouched, solenoid rotatable 4x90°
- Medium temperature up to 90 °C
- Similar hydraulic performance for AC and DC types
- Optimized water hammer characteristic by low noise emission according to EN 60730
- Long term performance capability
- High operating safety by the use of high quality materials and 100% final testing of the products

Description

2/2-way solenoid valve of nominal diameter DN 10 for use with cold and heated potable water and physically and chemically similar media. The valve is servo-controlled and normally open (NO).

Valves of this design are single chamber straight valves and can be manufactured with various connections.

Coil systems for common voltage and frequency ranges are available.

The electrical operational safety is guaranteed by the electrical insulation coordination, which corresponds to the VDE 110 regulations. The manufacturing process includes a 100% electrical safety test in accordance with the VDE 0631 Part 1000 regulations.

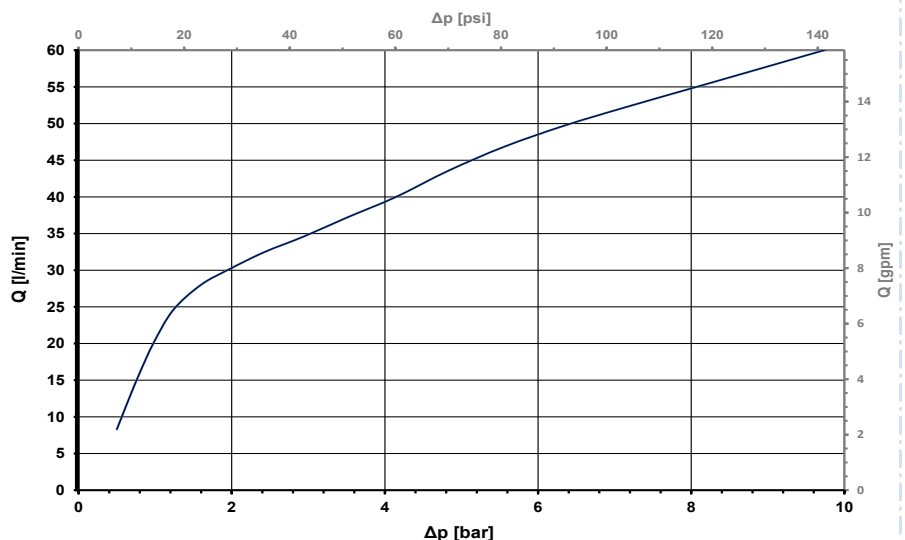
By using high quality insulation materials, continuous duty (100 % ED) at higher medium temperatures is possible. The glass fibre reinforced polyamide valve body persists hot water. Protection against corrosion of inner parts exposed to the medium is achieved by using stainless steel.

Applications

- Steam appliances
- Dental appliances
- Hot / cold drink dispensers
- Industrial appliances
- Air conditioning
- Agricultural implements
- Pollution equipment
- Temperature equalisers
- Dish washers
- Ice machines
- Washing machines
- Water treatment

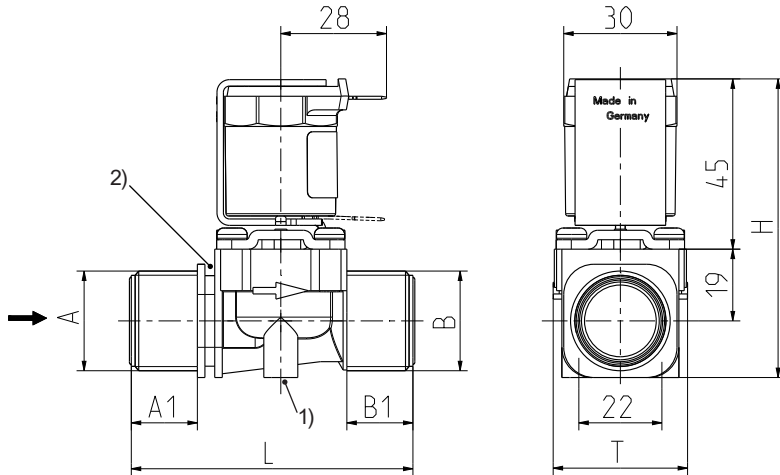
Typical Performance Curve

Values determined with connection variant external thread 3/4" inlet / 3/4" outlet. For geometric reasons, other connection variants as well as different test conditions may show deviating values.





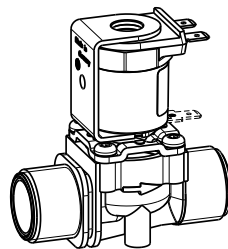
Series 36.010.126



- 1) Fixing possibility for self tapping screw $\varnothing 4,2$
- 2) Fixing groove

Materials

Valve body	PA 66 glass fibre reinforced PPE on request PEI on request (T-medium max. 30 °C)
Plunger guide	stainless steel
Plunger and spring	stainless steel
Membrane and sealings	EPDM NBR (on request) VMQ (on request)
Coil coating	PBT, PET or epoxy resin
Filter	stainless steel (in inlet) POM on request



Technical Data

Type	Solenoid valve	
Construction	2/2-way single chamber straight valve, servo-controlled	
Function	NO (normally open)	
Fitting position	Any, preferably with coil upwardly	
Media	Cold and heated potable water and physically and chemically similar media	
T-Medium	90	°C max.
T-Ambient	70	°C max.
DN	10	mm
p-Operating	0,5 - 10	bar
Cv-value	20	l/min
Flow regulator	On request	
Pressure surge	According to EN 60730	
Coil type	MS 6, MS 24, MS 25	
Nominal voltages	200 - 240 V AC	50-60 Hz
	24	V DC
	Other voltages on request	
Voltage tolerance	+10% -15%	
Duty cycle	100%	
Nominal power	8,5 W	13 VA (AC only)
Protection Type	IP 00 up to IP 68 according to EN 60529	
Coil connections	Flat tabs 6,3 x 0,8 mm plug socket according to EN 175301-803 (IP65), several cable connections (IP67, IP68)	
Insulation class	F	according to EN 60730
Protection class	See coils according to EN 60730 (for incorporation in class I)	

Protection class I with protective earth contact
Protection class II without protective earth contact

Protection class II
additional protective conductor contact on request

Protection class II
additional protective conductor contact on request

MS.006
(IP00)



MS.024
(IP65)



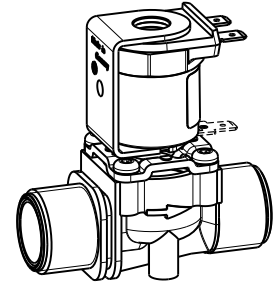
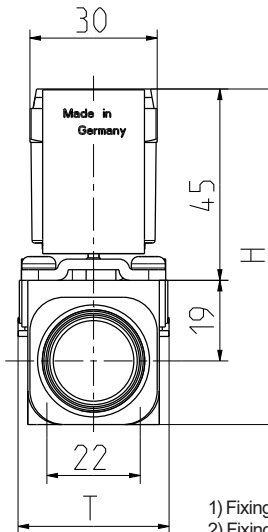
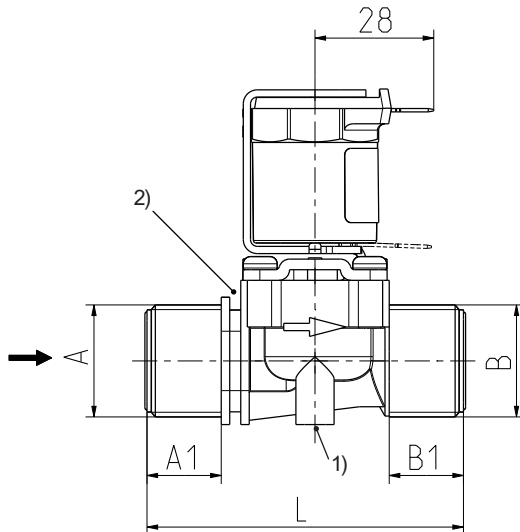
MS.025
(IP67, IP68)





Series 36.010.126

Valve housing variants with male thread



- 1) Fixing possibility for self tapping screw Ø 4,2
- 2) Fixing groove

Options

Material	Inlet Ø A	A1	Fixing Groove	Outlet Ø B	B1	Length L	Height H	Depth T
PA 66 or PA6/6 or PPO black	G 3/4	18	yes	G 3/4	18	76	79	36
PA 66 or PA6/6 or PPO black	G 1/2	15	yes	G 1/2	15	70	79	36
PA 66 or PA6/6 or PPO	G 3/8	13	yes	G 3/8	13	66	79	36
PA 66 or PA6/6	G 3/4	18	yes	G 1/2	15	73	79	36
PA 66 or PA6/6	G 3/4	18	yes	G 3/8	13	71	79	36
PA 66	G 1/2	15	yes	G 3/4	18	73	79	36
PA 66	G 1/2	15	yes	G 3/8	13	68	79	36
PA 66	G 3/8	13	yes	G 3/4	18	71	79	36
PA 66	G 3/8	13	yes	G 1/2	15	68	79	36
PA 66 or PA6/6	G 3/4	10	no	G 3/4	10	55	79	36
PA 66	G 3/4	18	yes	G 3/4	10	68	79	36
PA 6/6	G 3/8	13	yes	12,0 nozzle	17	70	79	36
PPO or PA 66	12,0 nozzle	17	yes	12,0 nozzle	17	74	79	36
PA 66 or PA 6/6	G 3/4	14,5	yes	G 3/4	14,5	69	79	36
PA 6/6	G 3/4	18	yes	G 3/4 swivel nut	10,5	87	79	36
PA 66	G 3/4 swivel nut	10,5	yes	G 3/4	18	87	79	36
PA 66	G 3/4	18	yes	15,0 nozzle*	30	90	79	36
PPO black	G 1/2	15	yes	G 1/2	15	70	79	36
PPO black	G 3/4	18	yes	G 3/4	18	76	79	36
PA 66	3/8" JG**	10	yes	3/8" JG**	10	60	79	36

* Compatible to modular fitting system, series 11.000 or for John Guest

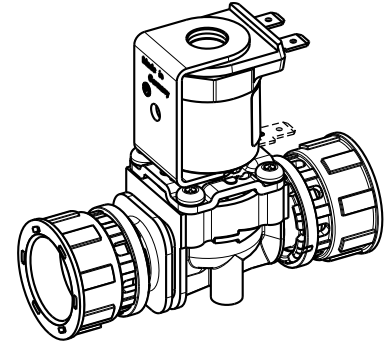
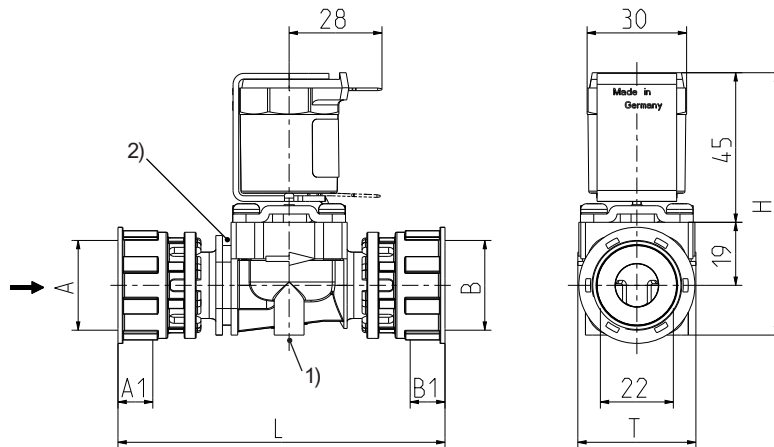
**John Guest cartridge in valve body

Other variants on request.



Series 36.010.126

Valve housing variants with swivel nut



1) Fixing possibility for self tapping screw \varnothing 4,2
2) Fixing groove

Options

Material	Inlet \varnothing A	A1	Fixing Groove	Outlet \varnothing B	B1	Length L	Height H	Depth T
PA 6/6	G 3/4 swivel nut	10,5	yes	G 3/4 swivel nut	10,5	99	79	36
PA 6/6	G 1/2 swivel nut	11,5	yes	G 1/2 swivel nut	11,5	99	79	36

Other variants on request.

Assembly Instruction for Swivel Nuts

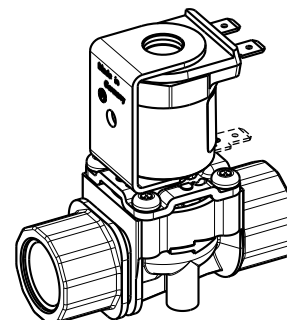
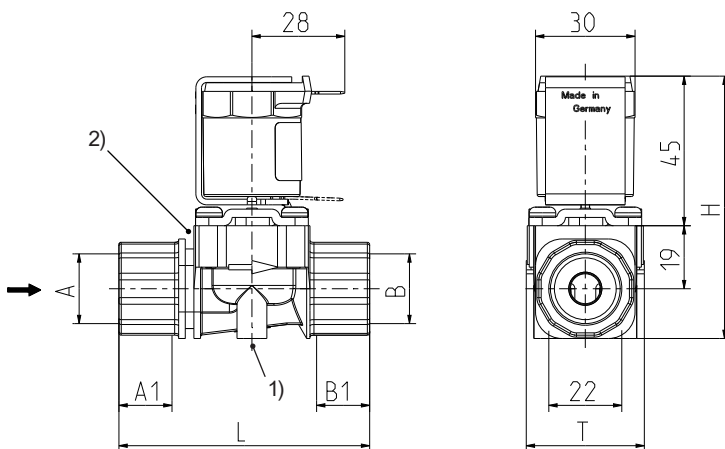
In order to avoid damage to the swivel nuts or leaks in the screw connections, please follow these assembly instructions.

- Place the swivel nut straight onto the thread of the male counterpart.
- Tighten the swivel nut to a torque of 3 Nm.
- Only use original seals and spare parts from A. u. K. Müller.

Valve housing variants with female thread

Pipe thread according to DIN EN ISO 228 - 1 with gasket

- ⚠ Do not use additional sealing material such as hemp or Teflon tape.
- ⚠ Note minimum thread length of 17 mm.



1) Fixing possibility for self tapping screw \varnothing 4,2
2) Fixing groove

Options

Material	Inlet \varnothing A	A1	Fixing Groove	Outlet \varnothing B	B1	Length L	Height H	Depth T
PA 6/6	G 1/2 female	16	yes	G 1/2 female	16	76	79	36

Other variants on request.