



**Series 46.008.x17**



**Characteristics**

- Direct controlled
- Plunger separated by diaphragm from medium
- Valve bodies can be connected
- PTFE valve seat to inhibit scale build up
- Long term performance capability
- Flow rate adjustable (flow regulation screw)
- Suitable for food and hot water appliances
- Works from zero pressure
- Similar hydraulic performance for AC or DC types
- Other hydraulic connection on request
- Complete drainage of valve outlet after shut off
- Easy to assemble and service
- Coil change without opening of medium circuit
- High operating safety through the use of high quality and 100% final testing of the products

**Applications**

- Hot / cold drink dispensers
- Tank or boiler draining
- Automatic animal feeding equipment

**Description**

2/2-way solenoid valve of nominal diameter DN 8 for liquid dispense. This valve is direct controlled and normally closed (NC).

Valves of this design are medium separated seat valves, where the plunger is separated by a diaphragm from the medium. Valve bodies can directly be connected. The valve seat is made of scale build up inhibiting PTFE.

This valve can be manufactured with a variety of customised connections in DC or AC voltage. Low power or PPM triggering can be used.

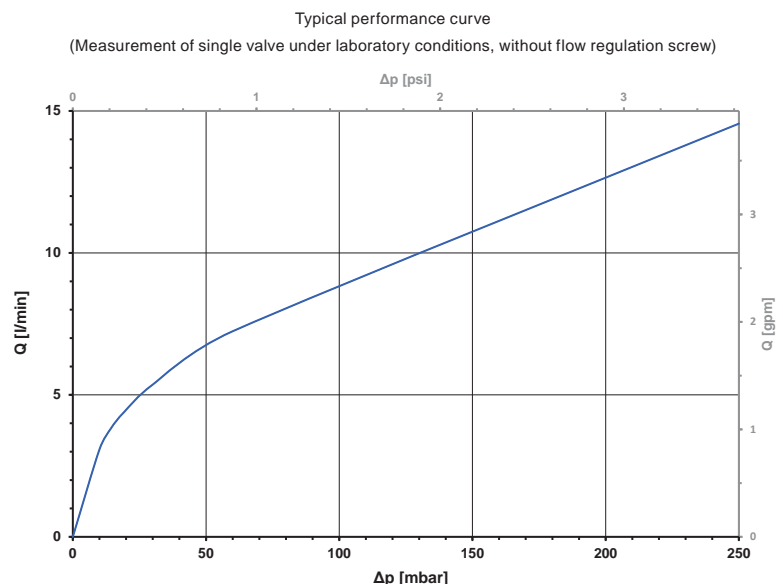
Electrical operating safety is achieved by PBT coating of the coil and can be supported by an additional protection circuit.

The valve is distinguished primarily by its food grade and hot water capability.

**Possible approvals**

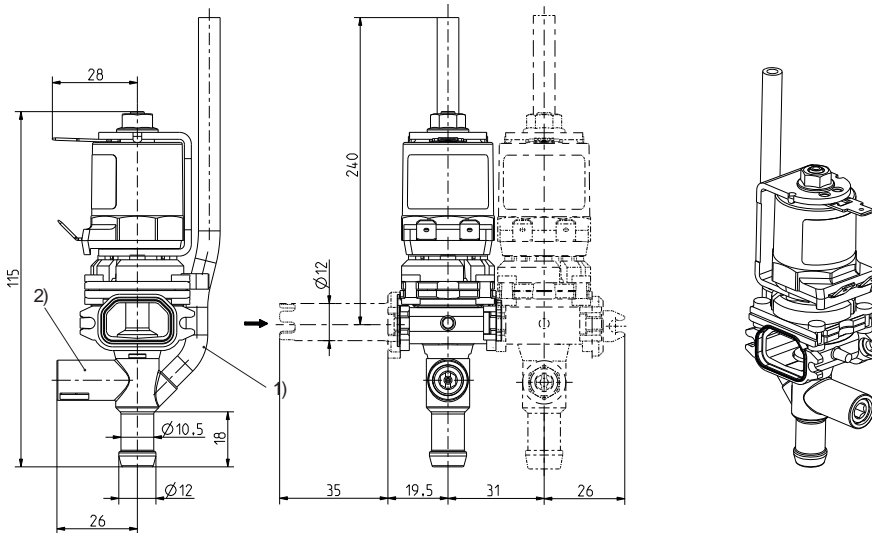
Approved versions available on request:

- KTW/W270
- NSF 169
- WRAS
- UL
- Others on request





**Series 46.008.xI7**



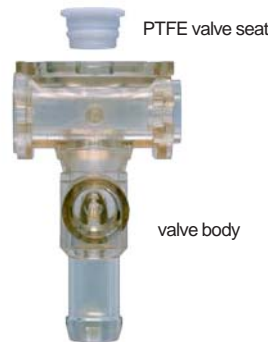
- 1) With or without ventilation of outlet nozzle to drain downstream tubing completely. Different lengths of breather tube on request.
- 2) Regulation screw for vernier adjustment of flow.

**Technical Data**

<b>Type</b>	dispense valve	
<b>Construction</b>	2/2-way single chamber valve inlet ninety degree to the outlet, direct acting, stackable	
<b>Function</b>	NC (normally closed)	
<b>Fitting position</b>	coil pointing upwards	
<b>Media</b>	cold and heated potable water and physically and chemically similar media	
<b>T-Medium</b>	98	°C
<b>T-Ambient</b>	70	°C
<b>DN</b>	8	mm
<b>Flow</b>	adjustable at nozzle	
<b>p-Operating*</b>	0 - 250	mbar
<b>Coil type</b>	MS.006, MS.024, MS.025	
<b>Nominal voltages</b>	230 V AC	50/60 Hz
	110 V AC	50/60 Hz
	24 V AC	50/60 Hz
	24 V DC	
	other voltages on request	
<b>Voltage tolerance</b>	+10% -15%	
<b>Duty cycle</b>	AC 50% (cycle 1 min) DC 100%	
<b>Nominal power</b>	9,5 W	16,4 VA (AC only)
<b>Protection type</b>	IP 00	higher IP-classes on request
<b>Coil connection</b>	flat tabs 6,3 x 0,8 mm (others on request)	
<b>Insulation class</b>	F	according to EN 60730
<b>Protection class</b>	I	according to EN 60730 (for incorporation in class I)

**Materials**

<b>Valve body</b>	PSU
<b>Valve seat</b>	PTFE
<b>Plunger guide</b>	stainless steel
<b>Plunger</b>	stainless steel
<b>Membrane</b>	VMQ FMQ (on request)
<b>Sealings</b>	VMQ
<b>Coil coating</b>	PBT,PET or epoxy resin



\* The length of the breather pipe has to be adjusted according to the operating pressure.

**Options**

Name		Material
Closure		PSU
Valve body inlet adapter		PSU
Boiler connection		PSU
Inlet elbow nozzle		PSU

Name		Material
Backflow outlet nozzle		PSU
Backflow outlet elbow nozzle		PSU
Fixing Clip		PA 66
Other connections and outlet nozzles on request		

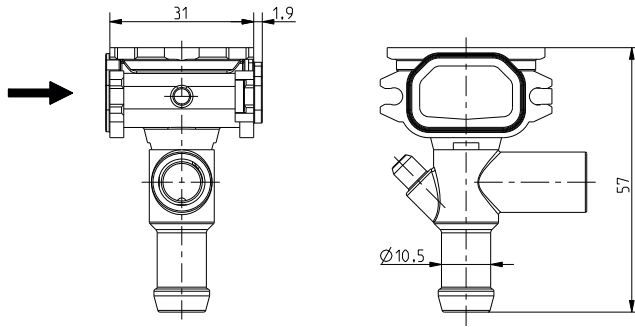
<b>MS.006</b> (IP00)	
<b>MS.024</b> (IP65)	
<b>MS.025</b> (IP67, IP68)	



Series 46.008.x17

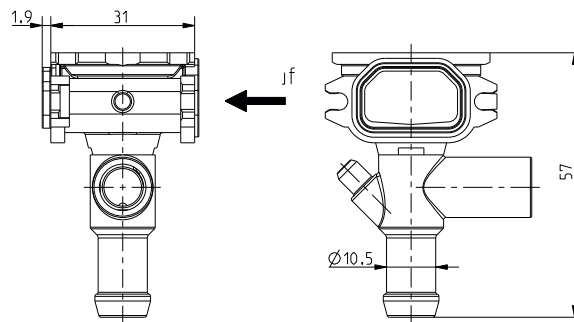
## Housing variants

~001



Standard

~002





**Series 46.008.x17**



Solenoid valves  
Control valves  
Special valves and systems

A. u. K. Müller GmbH & Co. KG  
Dresdener Str. 162  
D-40595 Düsseldorf/Germany

Tel.: +49(0)211-7391-0  
Fax: +49(0)211-7391-281

e-mail: [info@akmueller.de](mailto:info@akmueller.de)  
Internet: [www.akmueller.de](http://www.akmueller.de)