

2/2-way Lever Valve, DN 9, NO

Product Information



A. u. K. Müller

Solenoid valves
Control valves
Special valves and systems

A. u. K. Müller GmbH & Co. KG
Dresdener Str. 162
D-40595 Düsseldorf/Germany

Tel.: +49(0)211-7391-0
Fax: +49(0)211-7391-281

e-mail: info@akmueller.de
Internet: www.akmueller.de

Series 47.009.382



ID 090903

ID 090916

Characteristics

- Direct acting
- Medium separated
- Minimal dead areas in valve body
- Long term performance capability
- No minimal pressure required
- Suitable for hot water appliances (98 °C)
- Easy to assemble and service
- Low power consumption
- Any fitting position
- High operating safety through the use of high quality materials and 100% final testing of the products

Description

Direct acting 2/2 way solenoid lever valve (normally open) with orifice size DN 9 for control of neutral gases and liquids. The plunger of the magnetic system is protected from the medium by spatial separation. In particular, the low dead space is a further advantage of the lever valves.

Valves of this design are single chamber valves with threaded connections.

The electrical operational safety is guaranteed by the electrical insulation coordination, which corresponds to the VDE 110 regulations. The manufacturing process includes a 100% electrical safety test in accordance with the VDE 0631 Part 1000 regulations.

Due to the use of high quality materials, the valve is applicable for high ambient temperatures and medium temperatures up to 98 °C.

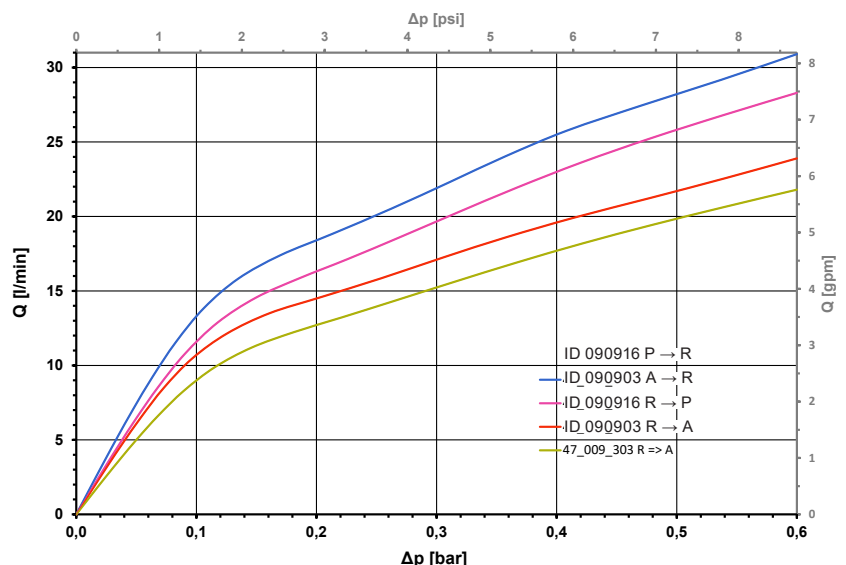
The good thermal separation between the fluid path and the solenoid coil also allows the use of temperature sensitive media, such as in the medical technology or analytics.

This valve is ideally suited for dosing applications.

Applications

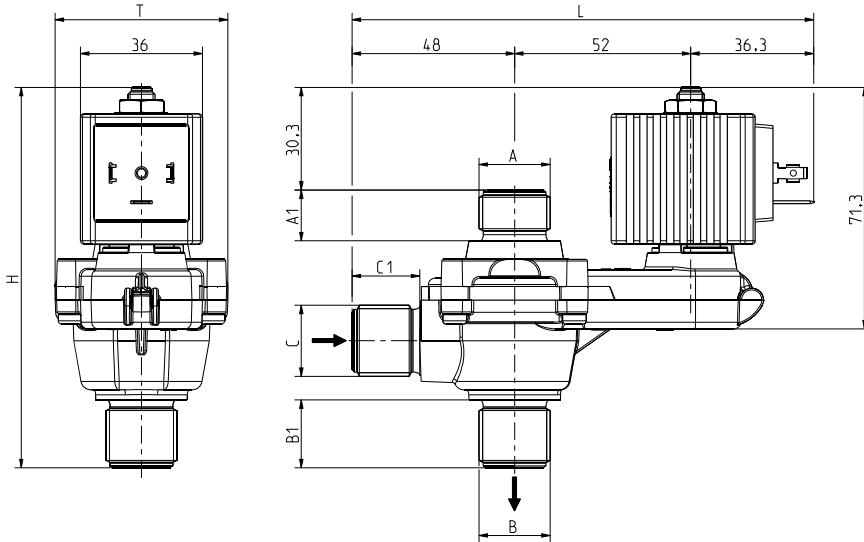
- Tank or boiler draining ideal for emergency emptying as valve is normally open
- Medical engineering
- Laboratory / analysis equipment
- Industrial applications

Typical Performance Curve
(under laboratory conditions)





Series 47.009.382



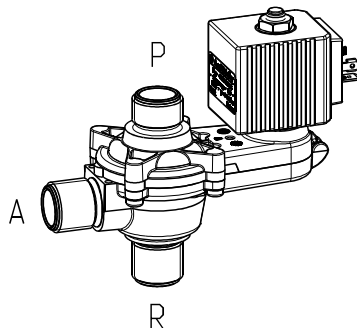
Technical Data

Type	Lever solenoid valve	
Construction	2/2-way single chamber valve, direct acting, media separated	
Function	Normally Open (NO): A → R	
Fitting position	Any, preferably with coil upwardly	
Media	Cold and heated water and physically and chemically similar media	
T-Medium	5 - 98	°C
T-Ambient	5 - 60	°C
DN	9	mm
p-Operating	0 - 0,6	bar
Coil type	MS 44	
Nominal voltages	see options other voltages on request	
Voltage tolerance	±10 % DC +10 / -5 % AC	
Duty cycle	100%	
Protection Type	IP 00 up to IP 65 according to EN 60529	
Coil connections	plug socket according to EN 175301-803 (IP65)	
Insulation class	H	according to EN 60730-2-8
Protection class	I	according to EN 60730-2-8

Materials

Valve body	PPO
Plunger guide	stainless steel
Plunger and spring	stainless steel
Membrane and sealings	FKM or EPDM
Coil coating	PA
Filter (inlet)	stainless steel (on request)

"P"-port closed



Options

ID	Material	Inlet		Outlet				Length	Height	Depth	Voltages
		Ø C	C1	Ø B	B1	A	A1				
090903	PPO	G 1/2	20	G 1/2	20	G 1/2	15	136,3	112,3	51	24 V DC
090906											24 V AC 50 Hz
090914											110 V AC 50 Hz
090915											120 V AC 60 Hz
											230 V AC 50 Hz

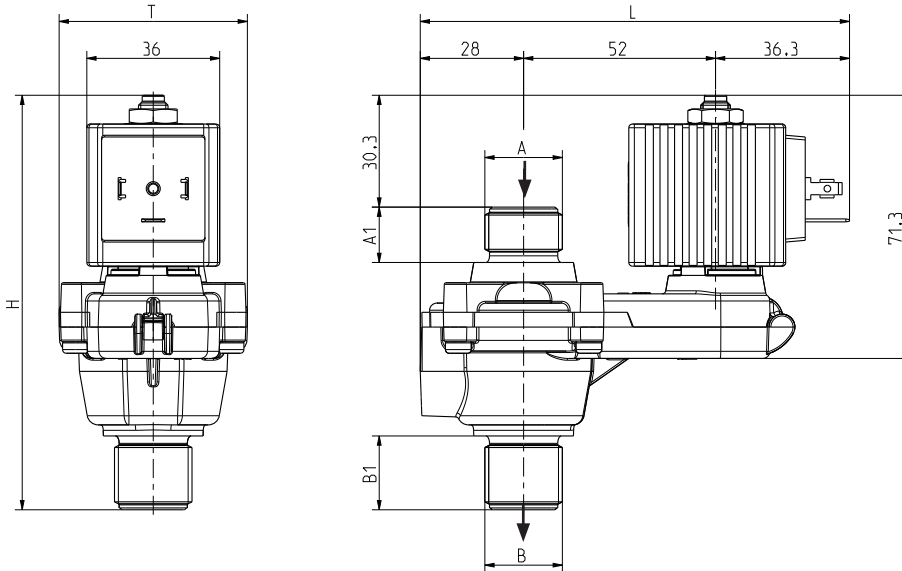


ATTENTION

Danger due to high voltages 110, 120, 230 V AC. Disconnect the system from the power supply before carrying out maintenance or installation work. Connection work may only be carried out by qualified personnel.



Series 47.009.382

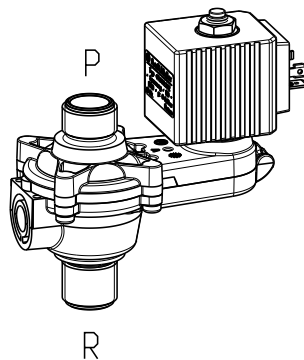


Technical Data

Type	Lever solenoid valve	
Construction	2/2-way single chamber valve, direct acting, media separated	
Function	Normally Open (NO): P → R	
Fitting position	Any, preferably with coil upwardly	
Media	Cold and heated water and physically and chemically similar media	
T-Medium	5 - 98	°C
T-Ambient	5 - 60	°C
DN	9	mm
p-Operating	0 - 0,6	bar
Coil type	MS 44	
Nominal voltages	see options other voltages on request	
Voltage tolerance	±10 % DC +10 / -5 % AC	
Duty cycle	100%	
Protection Type	IP 00 up to IP 65 according to EN 60529	
Coil connections	plug socket according to EN 175301-803 (IP65)	
Insulation class	H	according to EN 60730-2-8
Protection class	I	according to EN 60730-2-8

Materials

Valve body	PPO
Plunger guide	stainless steel
Plunger and spring	stainless steel
Membrane and sealings	FKM or EPDM
Coil coating	PA
Filter (inlet)	stainless steel (on request)



Optionen

ID	Material	Inlet		Outlet		Length L	Height H	Depth T	Voltages
		Ø A	A1	Ø B	B1				
090916	PPO	G 1/2	15	G 1/2	20	116,3	112,3	51	24 V DC
090917									24 V AC 50 Hz
090918									110 V AC 50 Hz 120 V AC 60 Hz
090919									230 V AC 50 Hz



ATTENTION

Danger due to high voltages 110, 120, 230 V AC. Disconnect the system from the power supply before carrying out maintenance or installation work. Connection work may only be carried out by qualified personnel.



Solenoid valves
Control valves
Special valves and systems

A. u. K. Müller GmbH & Co. KG
Dresdener Str. 162
D-40595 Düsseldorf/Germany

Tel.: +49(0)211-7391-0
Fax: +49(0)211-7391-281

e-mail: info@akmueller.de
Internet: www.akmueller.de