

Manually-operated Cartridge Valve, DN 5 latching

Product Information



A. u. K. Müller

Solenoid valves
Control valves
Special valves and systems

A. u. K. Müller GmbH & Co. KG
Dresdener Str. 162
D-40595 Düsseldorf/Germany

Tel.: +49(0)211-7391-0
Fax: +49(0)211-7391-281

e-mail: info@akmueller.de
Internet: www.akmueller.de

Series 50.005.801



Characteristics

- Simple, manual operation
- Compact design
- Available with two installation lengths
- Pretested functional unit
- Hygiene benefit by 100% final testing with air
- Particle protection by stainless steel filter in the inlet
- Long term performance capability
- Easy to assemble and service
- Cylindrical design
- Any fitting position
- High operating safety through the use of high quality material

Description

2/2-way, latching cartridge valve with a nominal orifice DN 5 with a mechanical valve actuation. By manual operation, at a push of a button so to speak, the valve opens and closes. The manual actuation enables innovative user concepts for sanitary applications without requiring an external power supply. It is particularly suitable for the control of drinking water as hand-operated shut-off valve in faucets for washbasins or kitchen.

The design outline has been reduced so far that integration in appropriate components, while using a minimum amount of space, is given.

A further advantage is the simple "screw in" design, supporting easy assembly, service and test by the customer.

The hermetic separation of the mechanical actuating unit from the medium, without the use of dynamic sealing rings, ensures high wear resistance.

The interface of the valve is compatible with the solenoid controlled 50.005.101 series.

Applications

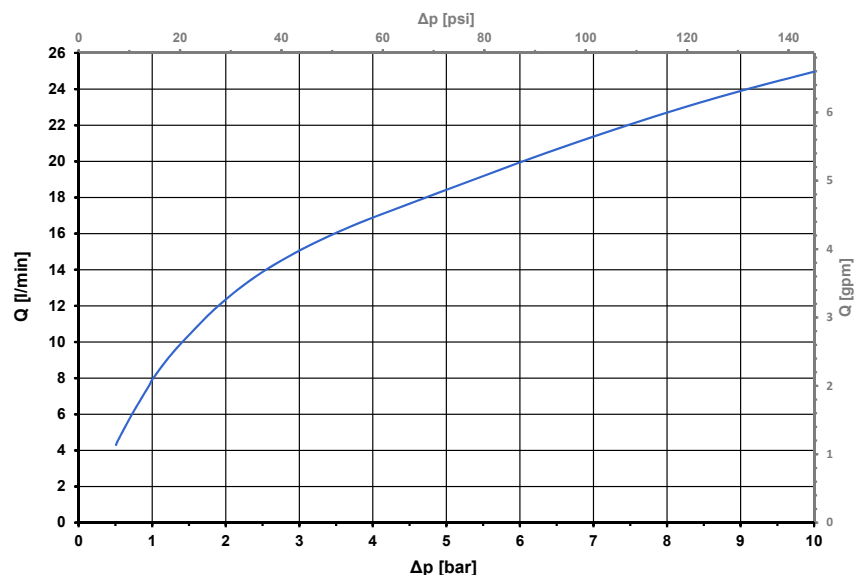
- Sanitary fittings as faucets for washbasin or kitchen
- Irrigation systems
- Industrial appliances

Certificates



- KTW - BWGL System 1+
- DVGW
- NSF 61
- ACS
- Other approvals possible on request

Typical Performance Curve



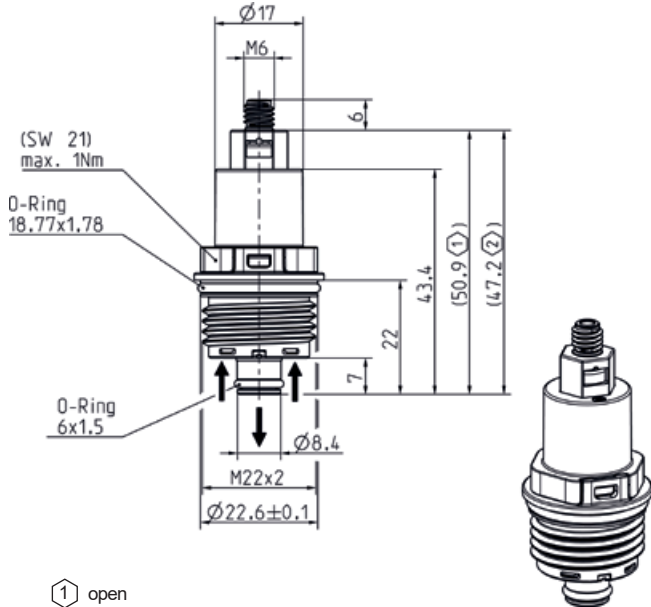
Manually-operated Cartridge Valve, DN 5 latching



A. u. K. Müller

Series 50.005.801

Standard Installation Length



- ① open
- ② closed

Installation contour is compatible with cartridge valve 50.005.101

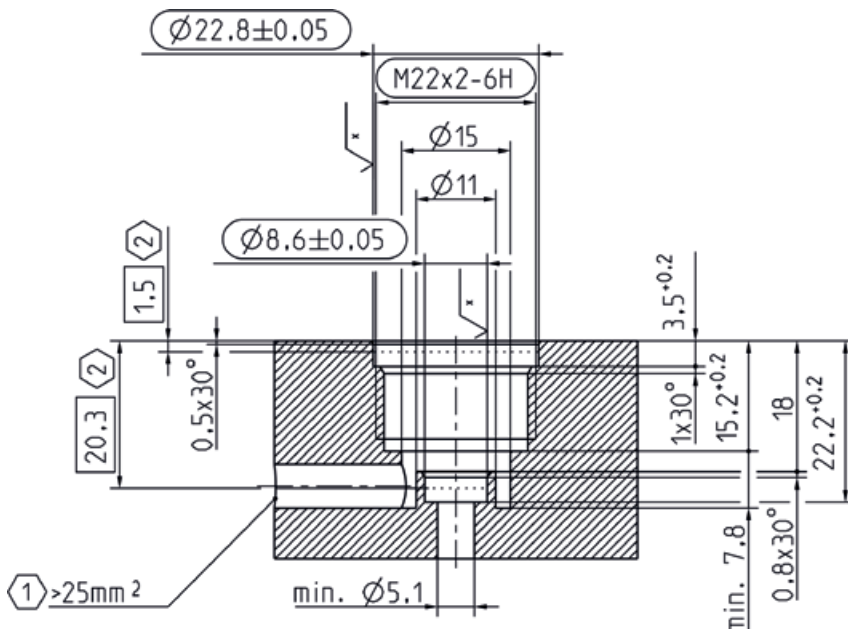
Technical Data

Type	Cartridge Valve with Mechanical Activation
Construction	2/2-way, Screw-in
Function	Manually Operated, Latching
Connection	Thread M22 x 2
Cap connection	Thread M6, Others on Request
Fitting position	Any
Media	Cold and heated potable water and physically and chemically similar media
T-Medium	5 - 75 °C
T-Ambient	5 - 75 °C
DN	5 mm
p-Operating	0,5 - 10,0 bar
Flow factor Kv	7,9 l/min
Pressure surge	According to EN 60730
Burst pressure	According to EN 60730

Good resistance to thermal (e.g., T-medium 80 °C / 10 minutes) and chemical disinfection.

Hygiene advantage by dry testing with air prior to delivery.

Screw-in Contour



- ① inlet cross section
- ② measuring level

roughness	(DIN EN ISO 1302)
√*	sealing surface
√	U ¹ SuB ² -2,5/Rz1max 5max 10

⚠ O-Rings are to be greased before screw-in.

⚠ Max. torque for screw-in: 1 Nm

Materials

Valve body	PA 6/6
Valve seat	PPSU
Plunger	Stainless Steel
Membrane and sealings	EPDM
Filter	Stainless Steel (Inlet)

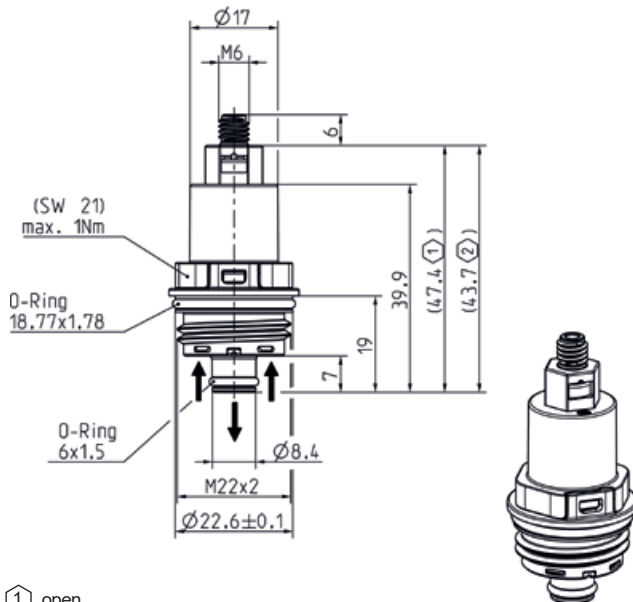
Manually-operated Cartridge Valve, DN 5 latching



A. u. K. Müller

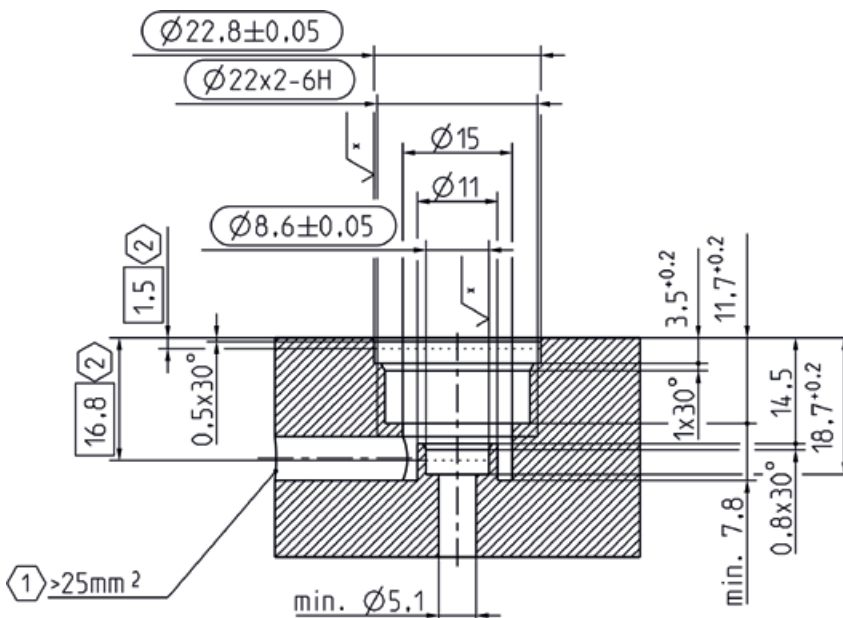
Series 50.005.801

Space-optimised variant



- ① open
- ② closed

Screw-in Contour



- ① inlet cross section
- ② measuring level

roughness (DIN EN ISO 1302)	
\sqrt{x}	sealing surface
$\sqrt{U'Ra}R^z$	$z=2.5/Rz$ Max 5 max 10

⚠ O-Rings are to be greased before screw-in.

⚠ Max. torque for screw-in: 1 Nm



Further solutions for your tasks on



www.akmueller.de/en/produkte