

# Product Information

## Mono-Stable Cartridge Valve, DN 7



**A. u. K. Müller**

Solenoid valves  
Control valves  
Special valves and systems

A. u. K. Müller GmbH & Co. KG  
Dresdener Str. 162  
D-40595 Düsseldorf/Germany

Tel.: +49(0)211-7391-0  
Fax: +49(0)211-7391-281

e-mail: [info@akmueller.de](mailto:info@akmueller.de)  
Internet: [www.akmueller.de](http://www.akmueller.de)

### Series 50.007.101 mono M29



### Characteristics

- Servo-controlled
- Pretested functional unit
- Suitable for the thermal as well as chemical disinfection
- Long term performance capability
- Internal triple pollution protection
- Compact design
- Optimized Cv-value for DN 7
- Optimized water hammer characteristic by low noise emission according to EN 60730-2-8 and EN 15091
- Easy to assemble and service
- Standard connection
- Cylindrical design
- Low power consumption
- Any fitting position
- Suitable for spray and jet water
- High operational safety through the use of high quality material
- Hygiene benefit by 100% final testing with air

### Description

2/2-way solenoid cartridge servo controlled valve of DN 7 in mono stable version, to be used particularly in electronically controlled sanitary fittings.

The design outline had been reduced so far, that integration in appropriate components while using a minimum amount of space, is given.

Positive properties are extended due to the simple "screw in" version, which supports easy assembly, service and tests by the customer.

The design of a separate valve seat by the customer is not to apply, as otherwise is needed, if a pilot valve will solely be used.

The flow rate of the cartridge valve has been optimized in such a way, that the nominal diameter of DN 7 fulfils the standard requirements for sanitary tap ware. In addition, we offer a version that has been optimized against water hammer according to EN 60730-2-8.

By using our special valve bodys, an extended variety of application can be achieved (see data sheet 50.007.126 or 50.007.52x).

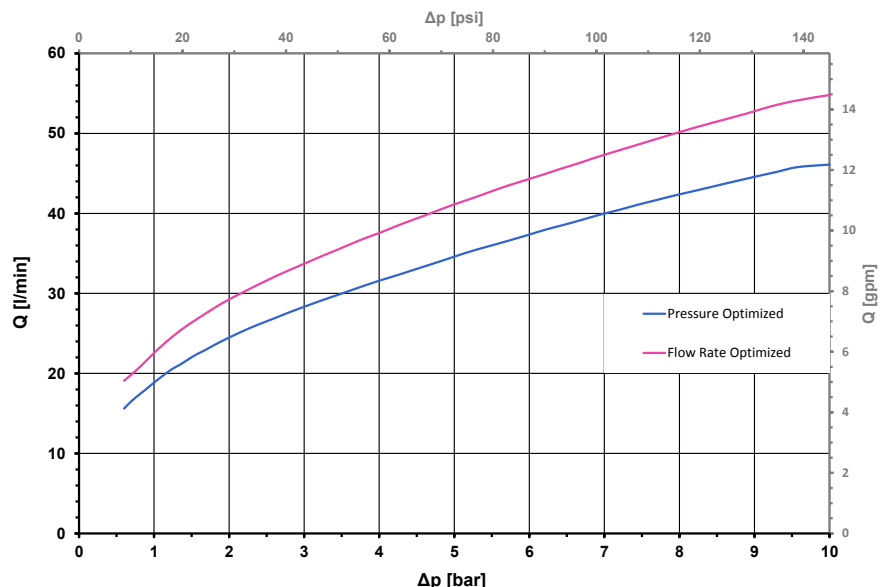
### Applications

- Sanitary fittings: urinal, shower or bidet
- Irrigation systems
- Industrial appliances

### Possible approvals

- KTW/W270
- NSF 61
- WRAS
- ACS
- Other approved versions available on request

typical performance curve



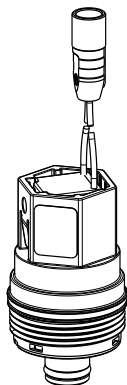
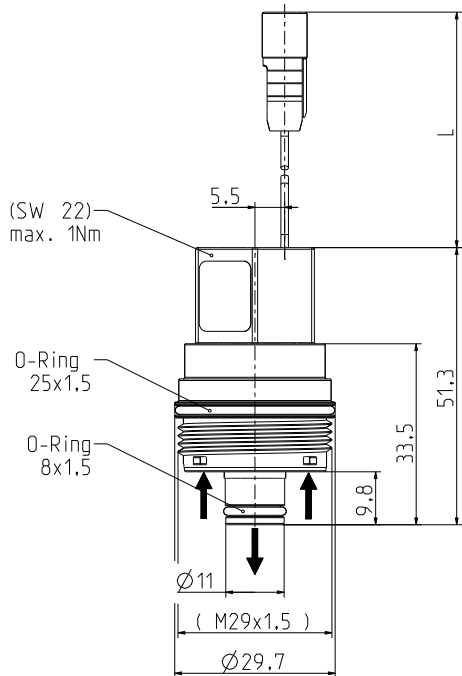
# Product Information

## Mono-Stable Cartridge Valve, DN 7



A. u. K. Müller

### Series 50.007.101 mono M29



⚠ Before screw-in O-rings are to be greased with silicone grease

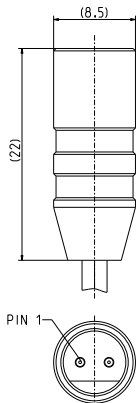
⚠ Max. Torque for Screw-in: 1 Nm

### Options

Connection Type	Standard Cable Length L
With leads and connector	95 ± 5 mm
Other Connection Types on Request	

### Materials

Valve body	PA 6/6
Seal Support	PPSU
Plunger Guide	LCP
Plunger	Stainless Steel
Membrane and Sealings	EPDM
Filter	Stainless Steel (In Inlet)



### Male Connector

#### Polarity of Connector:

strand color <b>RED</b> (PIN 1)	PLUS(+) pulse to open
strand color <b>BLUE</b>	MINUS(-)

### Technical Data

Type	Cartridge Valve	
Construction	2/2-way Screw-in, Servo Controlled	
Function	NC (Normally Closed)	
Connection	Thread M29 x 1,5	
Fitting Position	Any	
Media	Cold and heated potable water and physically and chemically similar media	
T-Medium	5 - 70	°C.
T-Ambient	5 - 60	°C
DN	7	mm
p-Operating	0,5 - 10,0 bar	
Cv-Value	17,3 l/min	
Pressure Optimized	21 l/min	
Flow Rate Optimized	According to EN 60730-2-8	
Pressure Surge	According to EN 60730-2-8	
Burst Pressure	12 VDC	
Nominal Voltage	24	V DC
	Other Voltages on Request	
Voltage Tolerance	-15% +10 %	
<b>Optional Voltage Reduction</b>		
$t_{start} : 100 \text{ ms}$ $tp:T \geq 1:3$ [ $>100\text{Hz}$ ] PWM $t_{start} : 100 \text{ ms}$ $tp:T \geq 1:4$ [ $>1\text{kHz}$ ] PWM		
Nominal Power	12 V DC	1,7 W
	24 V DC	1,8 W
Protection Type	IP 65	Higher IP-classes on request
Insulation Class	B	According to EN 60730-2-8

Good resistance to thermal e.g. T-medium 80 ° C / 10 minutes) and chemical disinfection

Hygiene advantage by air testing prior to delivery

Testing according to EN 15091 and adjustment of the valve in the fitting upon request





Solenoid valves  
Control valves  
Special valves and systems

A. u. K. Müller GmbH & Co. KG  
Dresdener Str. 162  
D-40595 Düsseldorf/Germany

Tel.: +49(0)211-7391-0  
Fax: +49(0)211-7391-281

e-mail: [info@akmueller.de](mailto:info@akmueller.de)  
Internet: [www.akmueller.de](http://www.akmueller.de)