

Manually-operated Cartridge Valve, DN 7 latching

Series 50.007.801



A. u. K. Müller

Solenoid valves
Control valves
Special valves and systems

A. u. K. Müller GmbH & Co. KG
Dresdener Str. 162
D-40595 Düsseldorf/Germany

Tel.: +49(0)211-7391-0
Fax: +49(0)211-7391-281

e-mail: info@akmueller.de
Internet: www.akmueller.de

Characteristics

- Simple, manual operation
- Compact design
- Pretested functional unit
- Hygiene benefit by 100% final testing with air
- Particle protection by stainless steel filter in the inlet
- Long term performance capability
- Easy to assemble and service
- Cylindrical design
- Any fitting position
- High operating safety through the use of high quality material

Description

2/2-way latching cartridge valve with a nominal orifice DN 7 and a mechanical valve actuation.

By manual operation, at a push of a button so to speak, the valve opens and closes. The manual actuation enables innovative user concepts for sanitary applications without requiring an external power supply. It is particularly suitable for the control of drinking water as hand-operated shut-off valve in kitchen faucets or showers.

The design outline has been reduced so far that integration in appropriate components, while using a minimum amount of space, is given.

A further advantage is the simple "screw in" design, supporting easy assembly, service and test by the customer.

By using our special valve bodies, an extended variety of attachment combinations can be achieved. The M28x 1 thread fits into the plastic body (50.007.126), for the M29 x 1.5 thread we also offer a brass body version.

The hermetic separation of the mechanical actuating unit from the medium, without the use of dynamic sealing rings, ensures high wear resistance.

The standard version is compatible with the cartridge valves Series 50.007.101.

Applications

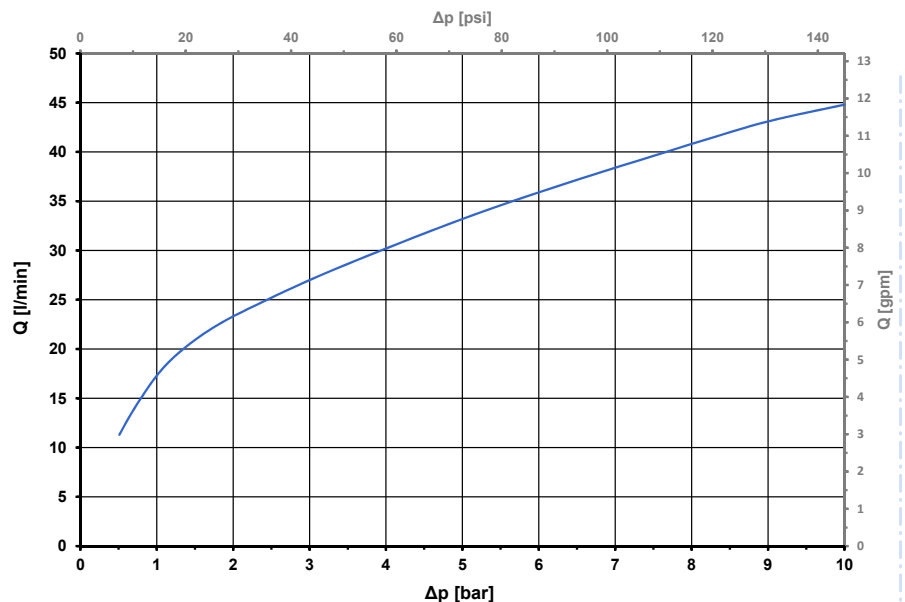
- Sanitary fittings for kitchen or showers
- Irrigation systems
- Industrial appliances

Certificates



- KTW - BWGL System 1+
- DVGW
- NSF 61
- ACS
- Other approvals possible on request

Typical Performance Curve



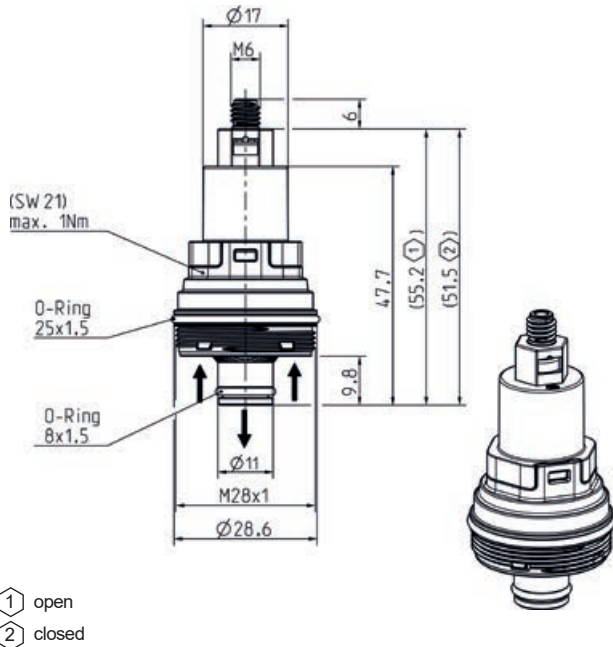
Manually-operated Cartridge Valve, DN 7 latching



A. u. K. Müller

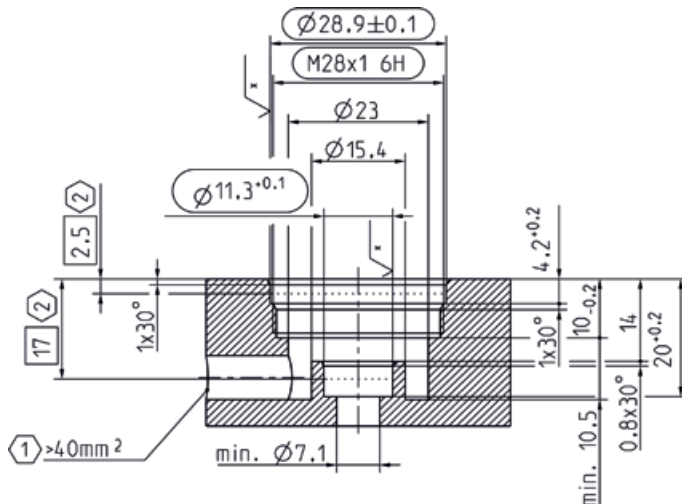
Series 50.007.801

M 28 x 1 Thread



Installation contour is compatible with cartridge valve 50.007.101

Screw-in Contour



- 1 inlet cross section
- 2 measuring level

roughness (DIN EN ISO 1302)	
\sqrt{x}	sealing surface
$\sqrt{0.008}$	$\sqrt{0.008}$ - 2.5/0.2 max 5 max 10

⚠ O-Rings are to be greased before screw-in.

⚠ Max. torque for screw-in: 1 Nm

Technical Data

Type	Cartridge Valve with Mechanical Activation
Construction	2/2-way, Screw-in
Function	Manually Operated, Latching
Connection	Thread M 28 x 1, Optionally M 29 x 1,5
Cap connection	Thread M 6, others on request
Fitting position	Any
Media	Cold and heated potable water and physically and chemically similar media
T-Medium	5 - 75 °C
T-Ambient	5 - 75 °C
DN	7 mm
p-Operating	0,5 - 10,0 bar
Flow factor Kv	17,3 l/min
Pressure surge	According to EN 60730-2-8
Burst pressure	According to EN 60730-2-8

Good resistance to thermal (e.g. T-medium 80 °C / 10 minutes) and chemical disinfection

Hygiene advantage by dry testing with air prior to delivery

Materials

Valve body	PA 6/6
Valve seat	PPSU
Plunger	Stainless steel
Membrane and sealings	EPDM
Filter	Stainless Steel (Inlet)

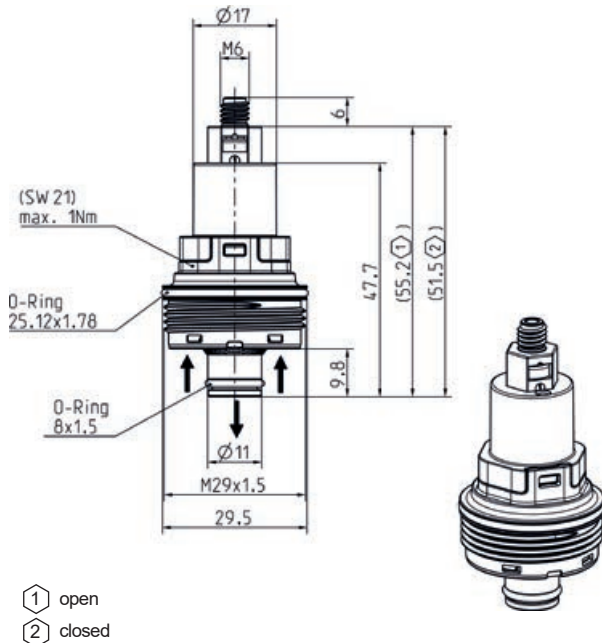
Manually-operated Cartridge Valve, DN 7 latching



A. u. K. Müller

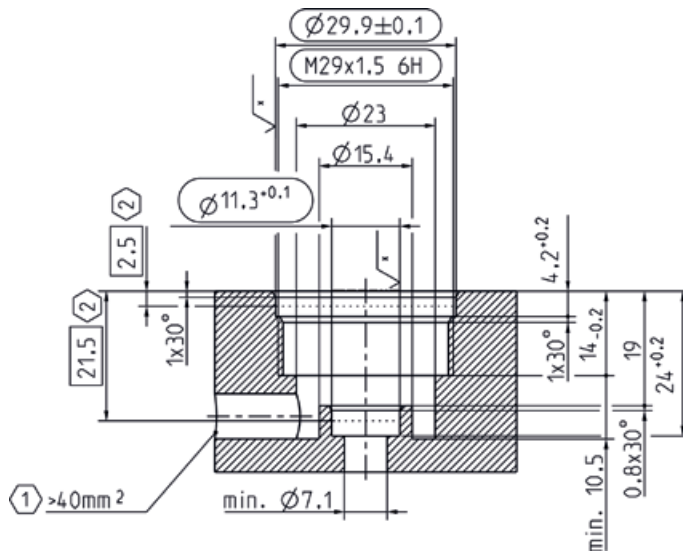
Series 50.007.801

Optionally with M 29 x 1,5 Thread



Installation contour is compatible with cartridge valve 50.007.101

Screw-in Contour



- (1) inlet cross section
- (2) measuring level

roughness (DIN EN ISO 1302)	
√ x	sealing surface
√	U'Gauß -2.5/Rz max 5 max 10

⚠ O-Rings are to be greased before screw-in.

⚠ Max. torque for screw-in: 1 Nm



Solenoid valves
Control valves
Special valves and systems

A. u. K. Müller GmbH & Co. KG
Dresdener Str. 162
D-40595 Düsseldorf/Germany

Tel.: +49(0)211-7391-0
Fax: +49(0)211-7391-281

e-mail: info@akmueller.de
Internet: www.akmueller.de

Further solutions for your tasks on



www.akmueller.de/en/produkte