

Product Information

Bi stable cartridge valve, DN 7



A. u. K. Müller

Solenoid valves
Control valves
Special valves and systems

A. u. K. Müller GmbH & Co. KG
Dresdener Str. 162
D-40595 Düsseldorf/Germany

Tel.: +49(0)211-7391-0
Fax: +49(0)211-7391-281

e-mail: info@akmueller.de
Internet: www.akmueller.de

Series 50.009.101 bi M29



Description

2/2-way solenoid cartridge servo controlled valve of DN 9 in bi stable version, to be used particularly in electronically controlled, battery driven sanitary fittings.

The power consumption is minimised by the use of impulse control (pwm) to increase long term performance, durability and battery life.

The design outline had been reduced so far, that integration in appropriate components while using a minimum amount of space is given.

Positive properties are extended due to the simple "screw in" version, which supports easy assembly, service and tests by the customer.

The design of a separate valve seat by the customer is not required, as otherwise needed when solely using a pilot valve.

The flow rate of the cartridge valve has been optimised in such a way, that the nominal diameter of DN 9 fulfils the standard requirements for sanitary tap ware.

By using our special valve bodies, an extended variety of attachment combinations can be achieved (see data sheet 50.009.126).

Applications

- Sanitary fittings as in urinals or wellness showers
- Irrigation systems
- Industrial appliances

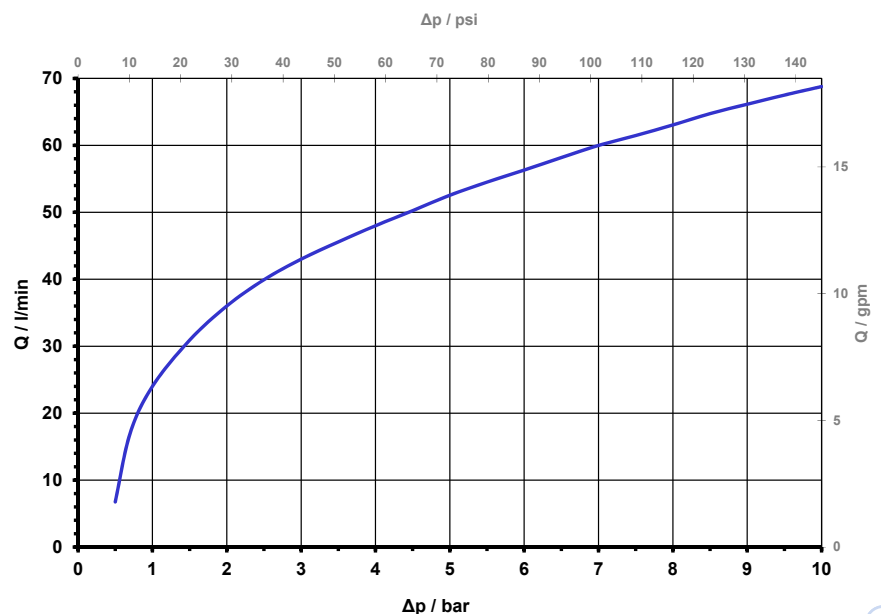
Approvals

- KTW-BWGL System 1+
- NSF 61
- WRAS
- ACS
- Other approved versions available on request

Characteristics

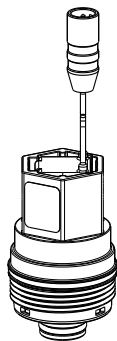
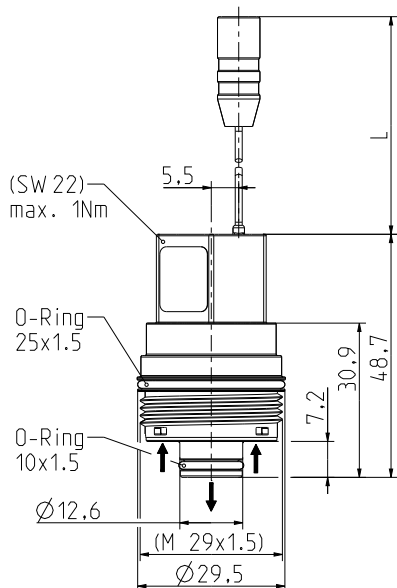
- Servo-controlled
- Pretested functional unit
- Suitable for the thermal as well as chemical disinfection
- Long term performance capability
- Internal triple pollution protection
- Compact design
- Optimized water hammer characteristic by low noise emission according to EN 60730 and EN 15091
- Easy to assemble and service
- Standard connection
- Cylindrical design
- Low power consumption
- Any fitting position
- Suitable for spray and jet water
- High operating safety through the use of high quality material
- Hygiene benefit by 100% final testing with air

Typical Performance Curve





Series 50.009.101 bi M29



Before screw in O-rings are to be greased with silicone grease

Max. Torque for screw in: 1 Nm

Options

ID	Connection Type	Cable Length L
098014		85 ± 5 mm
098022	twin strand and male connector	170 ± 5 mm
098026		

Materials

Valve body	PA 6/6
Seal support	PPSU
Plunger guide	LCP
Plunger	Stainless Steel
Membrane and sealings	EPDM
Filter	Stainless Steel (In Inlet)

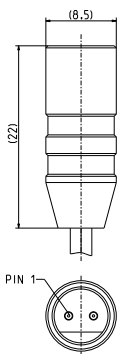
Technical Data

Type	Cartridge Valve	
Construction	2/2-way Screw-in, Servo Controlled	
Function	Bi stable, Pulse Controlled	
Connection	Thread M29 x 1,5	
Fitting position	Any	
Media	Cold and heated potable water and physically and chemically similar media	
T-Medium	5 - 70 °C	(5 - 80 °C max. 10 min)
T-Ambient	5 - 60 °C	
DN	9	mm
p-Operating	0,5 - 10,0 bar	
Cv-value	24 l/min	
Pressure Surge	According to EN 60730-2-8	
Burst Pressure	According to EN 60730-2-8	
Nominal Voltage	6	V DC
	Other Voltages on Request	
Operating voltage	4,0 - 6,9 V DC open/close at T-Ambient: 25°C	
Pulse shape/time		
Nominal Power	1,4 W	
Protection Type	IP 65	Higher IP-classes on Request
Insulation Class	B	According to EN 60730-2-8

Good resistance to thermal (e.g., T-medium 80 °C / 10 minutes) and chemical disinfection

Hygiene advantage by air testing prior to delivery

Testing according EN 15091 and adjustment of the valve in the fitting upon request



Male Connector

Polarity of Connector

strand color RED (PIN 1)	PLUS(+) at Opening pulse
Strand color BLACK	MINUS(-)

Product Information

Bi stable cartridge valve, DN 7



A. u. K. Müller

Series 50.009.101 bi M29

Screw-in Contour

roughness (DIN EN ISO 1302)	
\sqrt{x}	sealing surface $U^*Gaub^* -2.5/Rz^*1max\ 5max\ 10$

