

Product Information

Monostable cartridge valve, DN 9



A. u. K. Müller

Solenoid valves
Control valves
Special valves and systems

A. u. K. Müller GmbH & Co. KG
Dresdener Str. 162
D-40595 Düsseldorf/Germany

Tel.: +49(0)211-7391-0
Fax: +49(0)211-7391-281

e-mail: info@akmueller.de
Internet: www.akmueller.de

Series 50.009.101 mono M29



Description

2/2-way solenoid cartridge servo controlled valve of DN 9 in monostable version, to be used particularly in electronically controlled sanitary fittings.

The design outline had been reduced so far, that integration in appropriate components while using a minimum amount of space, is given.

Positive properties are extended due to the simple "screw in" version, which supports easy assembly, service and tests by the customer.

The design of a separate valve seat by the customer is not required, as otherwise needed when solely using a pilot valve.

The rate of flow of the cartridge valve has been optimised in such a way, that the nominal diameter of DN 9 fulfils the standard requirements for sanitary tap ware.

By using our special valve bodies, an extended variety of attachment combinations can be achieved (see data sheet 50.009.126).

Applications

- Sanitary fittings as in urinals or wellness showers
- Irrigation systems
- Industrial appliances

Possible approvals

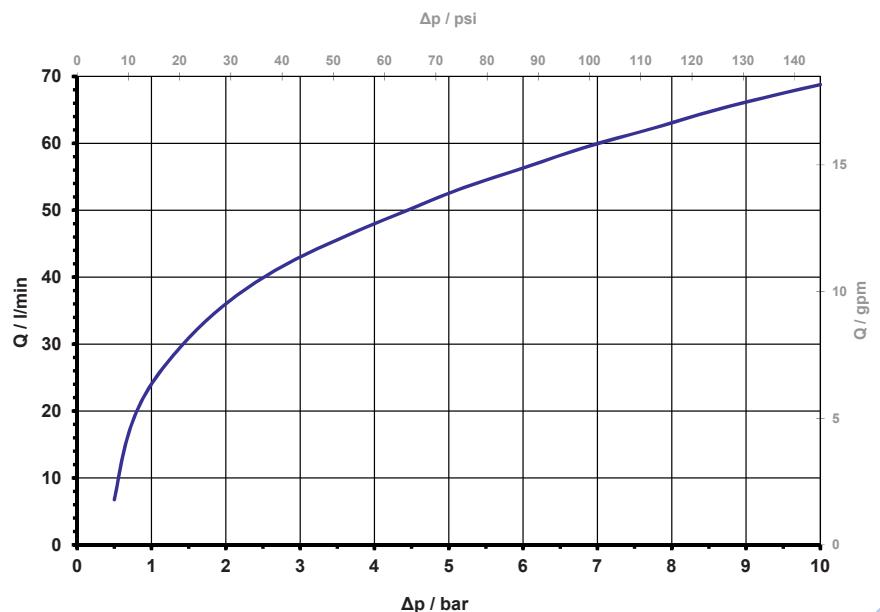
Approved versions available on request:

- KTW/W270
- NSF 61
- WRAS
- ACS
- Others on request

Characteristics

- Servo-controlled
- Pre tested functional unit
- Suitable for the thermal as well as chemical disinfection
- Long term performance capability
- Internal triple pollution protection
- Compact design
- Optimized water hammer characteristic by low noise emission according to EN 60730 and EN 15091
- Easy to assemble and service
- Standard connection
- Cylindrical design
- Low power consumption
- Any fitting position
- Suitable for spray and jet water
- High operating safety through the use of high quality material
- Hygiene benefit by 100% final testing with air

typical performance curve



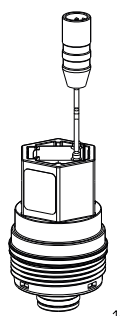
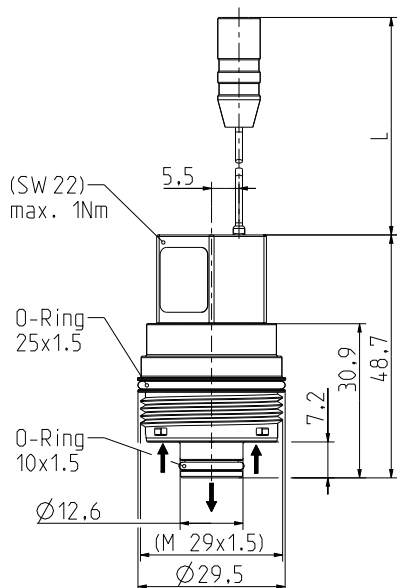
Product Information

Monostable cartridge valve, DN 9



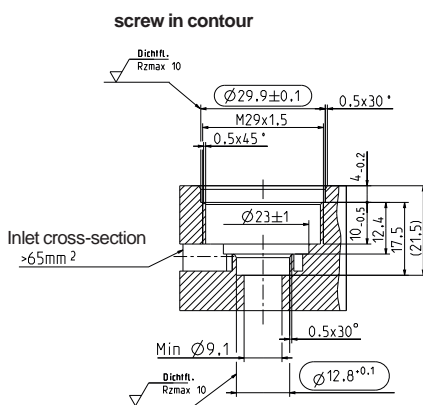
A. u. K. Müller

Series 50.009.101 mono M29



- ⚠ Before screw in o-rings are to be greased with silicone grease.
- ⚠ Max. Torque for screw in: 1Nm

Materials	
Valve body	PA 6/6
Seal support	PPSU
Plunger guide	LCP
Plunger	stainless steel
Membrane and sealings	EPDM
Filter	stainless steel (in inlet)



Technical Data

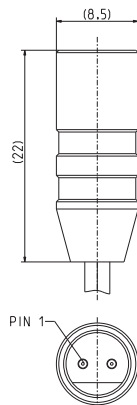
Type	cartridge valve	
Construction	2/2-way screw-in, servo controlled	
Function	NC (normally closed)	
Connection	thread M29 x 1,5	
Fitting position	any	
Media	cold and heated potable water and physically and chemically similar media	
T-Medium	5 - 70	°C.
T-Ambient	5 - 60	°C
DN	9	mm
p-Operating	0,5 - 10,0	bar
Cv-value	24	l/min
pressure surge	according to EN 60730	
Burst pressure	according to EN 60730	
Nominal voltages	12	V DC
	24	V DC
	other voltage on request	
Voltage tolerance	-15 % +10 %	
optional voltage reduction		
	t_{start}	$t_{p:T} \geq 1:3$ [$>100\text{Hz}$] PWM
	t_{start}	$t_{p:T} \geq 1:4$ [$>1\text{kHz}$] PWM
Nominal power	12 V DC	1,7 W
	24 V DC	1,8 W
Protection Type	IP 65	higher IP-classes on request
Insulation class	B	according to EN 60730

Good resistance to thermal (e.g., T-medium 80 ° C / 10 minutes) and chemical disinfection.

Hygiene advantage by air testing prior to delivery.

Testing according EN 15091 and adjustment of the valve in the fitting upon request.

Options	
Connection type	standard cable length L
with leads and connector	95 ± 5 mm
others	on request



Male connector

Polarity of connector:

strand color **RED** Pin 1 PLUS(+) pulse to open
strand color **BLUE** MINUS(-)