

Manually-operated On/Off Cartridge Valve with Flow Adjustment, DN 9, Bi-stable



A. u. K. Müller

Solenoid valves
Control valves
Special valves and systems

A. u. K. Müller GmbH & Co. KG
Dresdener Str. 162
D-40595 Düsseldorf/Germany

Tel.: +49(0)211-7391-0
Fax: +49(0)211-7391-281

e-mail: info@akmueller.de
Internet: www.akmueller.de

Series 50.009.811



Characteristics

- Mechanical valve actuation at your fingertip
- Mechanical flow adjustment by turning the valve bonnet
- Simple, manual operation
- Compact design
- Available with two installation lengths
- Pretested functional unit
- Hygiene benefit by 100% final testing with air
- Particle protection by filter screen integrated in the inlet
- Long term performance capability
- Easy to assemble and service
- Cylindrical design
- Any fitting position
- High operating safety through the use of high quality material

Description

2/2-way, latching cartridge valve with a nominal orifice DN 9 and a mechanical valve actuation.

By manual operation, at a push of a button so to speak, the valve opens and closes.

In addition, in this Flowflex variant the adjustment of the volume flow is possible with one handle by turning the valve head by 180°.

The manual actuation enables innovative user concepts for sanitary applications without requiring an external power supply. It is particularly suitable for the control of drinking water as hand-operated shut-off valve in faucets for washbasins or kitchen.

The design outline has been reduced so far that integration in appropriate components, while using a minimum amount of space, is given.

A further advantage is the simple "screw in" design, supporting easy assembly, service and test by the customer.

The interface of the valve is compatible with the solenoid controlled 50.009.101 series.

Applications

- Sanitary fittings as faucets for washbasin or kitchen
- Irrigation systems
- Industrial appliances

Possible Certificates

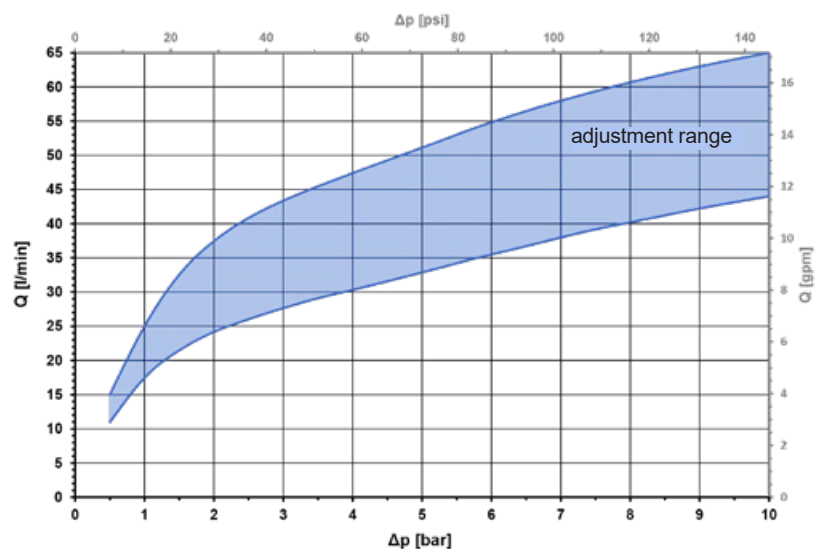
- NSF 61
- WRAS
- Others on request

Certificates

KTW - BWGL ACS

- KTW-BWGL
- ACS

Typical Performance Curve
(measured standard ID 072902)

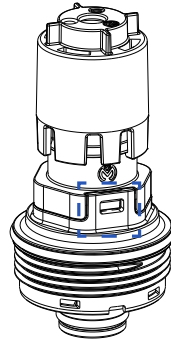
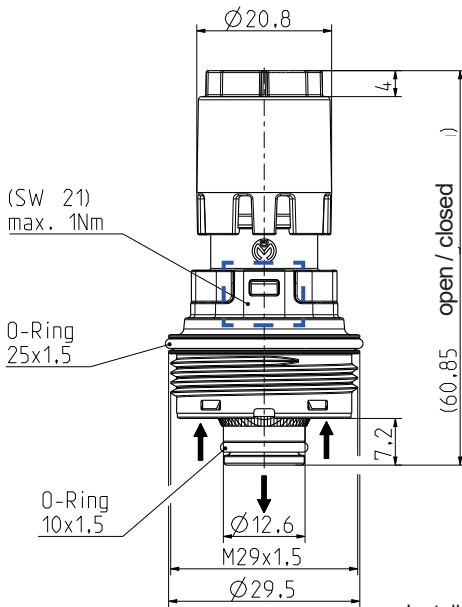


Manually-operated On/Off Cartridge Valve with Flow Adjustment, DN 9, Bi-stable



A. u. K. Müller

Series 50.009.811



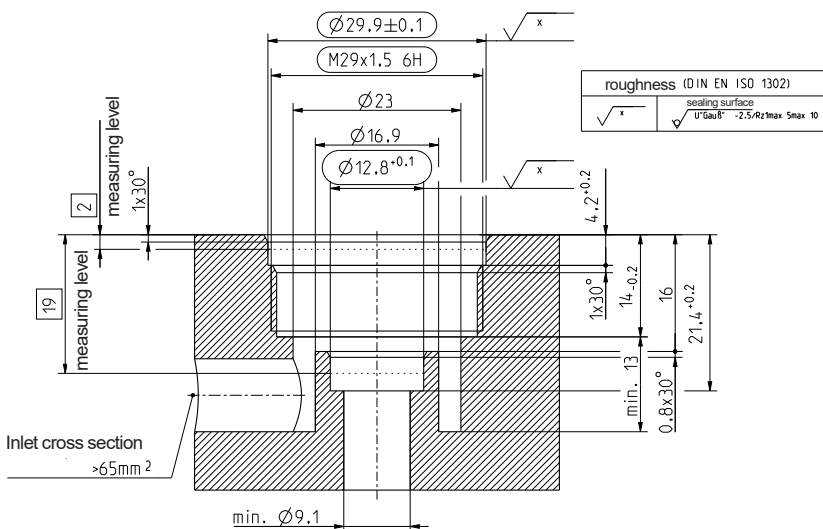
Installation contour is compatible with cartridge valve 50.009.101

Attention!

Recommended assembly tool: ring spanner SW 21.

When using an open-end spanner SW 21, only load the contact surfaces marked with !

Screw-in Contour



O-Rings are to be greased before screw-in.

Max. torque for screw-in: 1 Nm

Technical Data

Type	cartridge valve with mechanical activation
Construction	2/2-way, screw-in
Function	manually operated, latching
Connection	thread M 29 x 1,5
Cap connection	own contour, others on request
Fitting position	any
Media	cold and heated potable water and physically and chemically similar media
T-Medium	5 - 75 °C
T-Ambient	5 - 75 °C
DN	9 mm
p-Operating	0,5 - 10,0 bar
Flow factor Kv	17,5 - 25,0 l/min
Pressure surge	according to EN 60730
Burst pressure	according to EN 60730

Good resistance to thermal (e.g., T-medium 80 °C / 10 minutes) and chemical disinfection.

Hygiene advantage by dry testing with air prior to delivery.

Materials

Valve body	PA 6/6, POM
Valve seat	PPSU
Plunger	stainless steel
Membrane and sealings	EPDM
Filter (Inlet)	POM stainless steel (on request)