



**Series 50.013.101**



**Characteristics**

- Servo-controlled
- Pretested functional unit
- Bistable or monostable version
- Long term performance capability
- Internal triple pollution protection
- Optimized water hammer characteristic by low noise emission according to EN 60730
- Easy to assemble and service
- Standard connection
- Cylindrical design
- Low power consumption
- Any fitting position
- Suitable for spray and jet water
- High operating safety through the use of high quality material
- Hygiene benefit by 100% final testing with air

**Applications**

- Sanitary fittings: wellness shower, bath tub filling, urinals

**Approvals**

Approved versions available on request:

- KTW-BWGL System 1+
- Others on request

**Description**

2/2-way solenoid cartridge servo controlled valve of DN 13 as mono stable or latching version, to be used particularly in electronically controlled sanitary fittings.

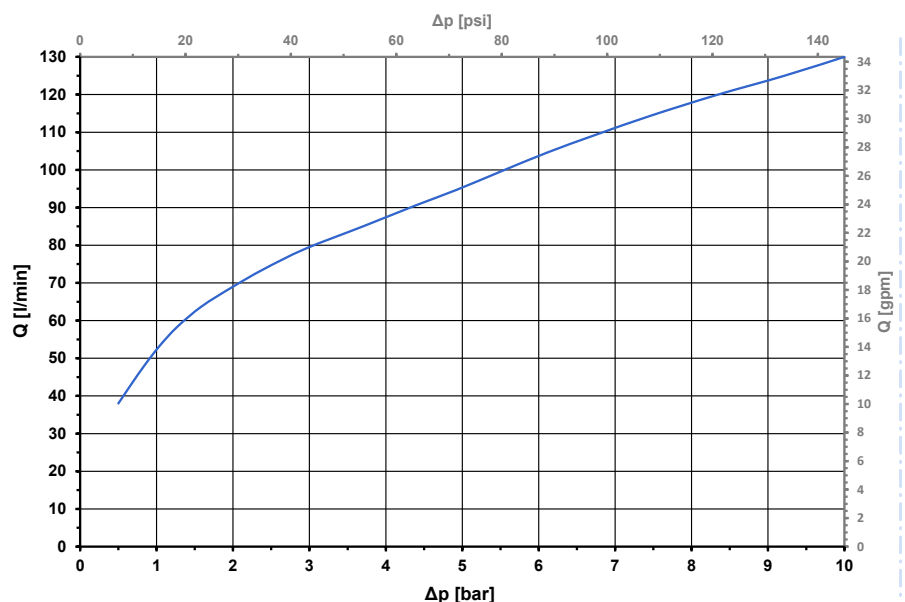
The valve allows a high flow rate in a compact unit for the control of potable water. Applications like bath-tub filling, shower panels supply or use in urinals can easily be set up.

The valve, equipped with a thread connection, speeds up assembling and disassembly in case of service.

The design of a separate valve seat by the customer is not to apply, as otherwise is needed, if a pilot valve will solely be used.

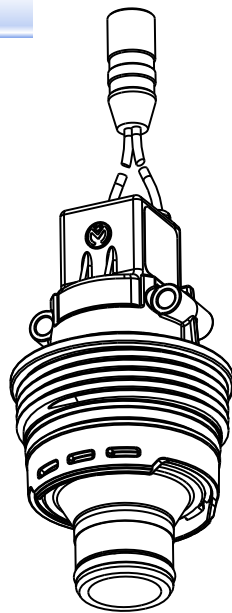
The rate of flow of the cartridge valve has been optimized in such a way, that the nominal diameter of DN 13 fulfils the standard requirements for sanitary tap ware.

Typical Performance Curve





**Series 50.013.101**



**Materials**

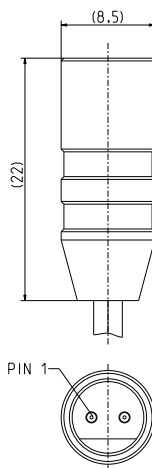
Valve body	PA 6/6 glass fibre reinforced
Plunger guide	LCP
Plunger and spring	stainless steel
Membrane and seals	EPDM
Coil coating	hotmelt
Filter (inlet)	on request

bistable version:  
**polarity of connector:**  
 strand color **RED** Pin 1  
 strand color **BLACK**

monostable version:  
 strand color **RED** Pin 1  
 strand color **BLUE**

PLUS(+) pulse to open  
 MINUS(-)

male connector



**Technical Data**

<b>Type</b>	cartridge valve	
<b>Construction</b>	2/2-way, plug-in or screw-in, servo controlled	
<b>Function</b>	bi stable, pulse controlled	
<b>Fitting position</b>	any	
<b>Media</b>	cold and heated potable water and physically and chemically similar media	
<b>T-Medium</b>	5 - 70	°C.
<b>T-Ambient</b>	5 - 60	°C
<b>DN</b>	13	mm
<b>p-Operating</b>	0,5 - 10,0	bar
<b>Cv-value</b>	52	l/min
<b>bistable</b>		
<b>Nominal voltage</b>	6 (9	V DC V DC on request)
<b>Operating voltage</b>	4,7 - 7,5 V DC open/close at T-Ambient 25 °C	
<b>Pulse shape/-time</b>		
<b>Nominal power</b>	1,8 W	at nominal voltage
<b>monostable</b>		
<b>Nominal voltage</b>	12 24	V DC V DC
	special voltage on request	
<b>Voltage tolerance</b>	-15 % +10 %	
<b>optional voltage reduction</b>		
$t_{start}$	100 ms	dutycycle $\geq$ 33% [ $>$ 100Hz] PWM
$t_{start}$	100 ms	dutycycle $\geq$ 25% [ $>$ 1kHz] PWM
<b>Duty cycle</b>	100%	
<b>Nominal power</b>		
<b>12 V DC</b>	2,6 W	
<b>24 V DC</b>	3,0 W	
<b>Protection type</b>	IP 65	
<b>Insulation class</b>	B	according to EN 60730
<b>Protection class</b>	III	according to EN 60730

Hygiene advantage by air testing prior to delivery.

Testing according EN 15091 and adjustment of the valve in the fitting upon request.

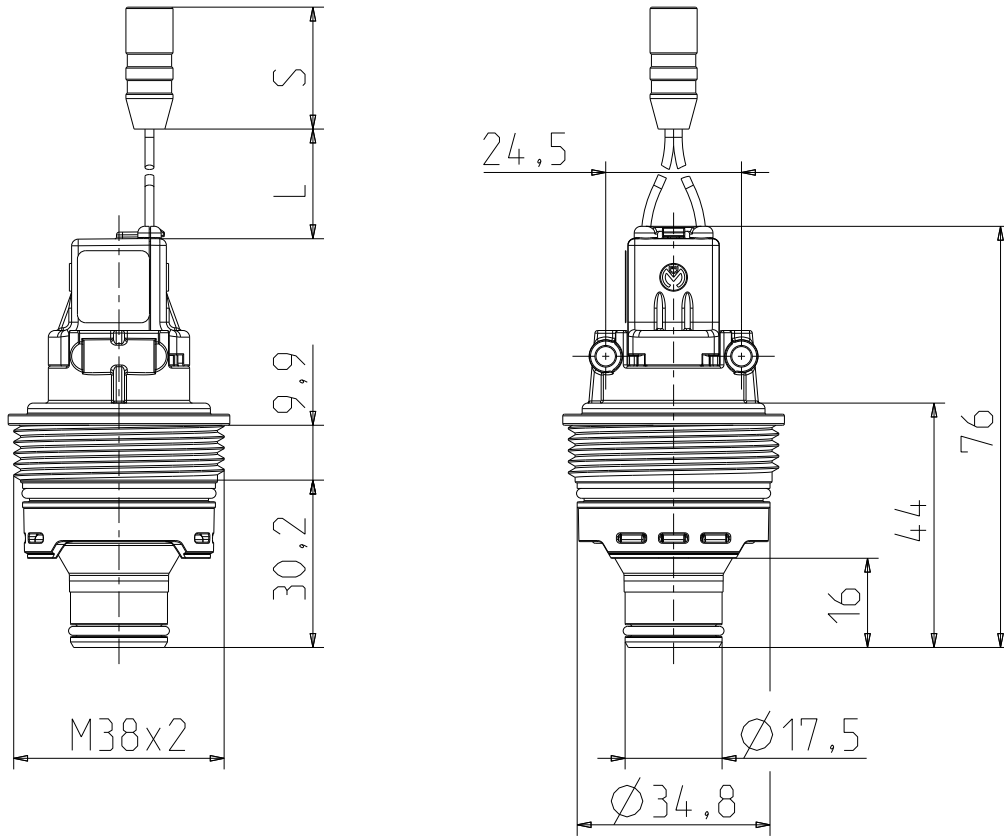
**Options**

Voltage	Function	Connection type	Cable colours	Standard cable length	ID
6 VDC	bistable	with leads and connector	red/black	85 ±5 mm	60651
9 VDC					on request
12 VDC	monostable	with leads and connector	red/blue	95 ±5 mm	on request
24 VDC					on request

Others on request.



Series 50.013.101



screw in contour

