

Product Information

Bi stable servo controlled 2/2-way valve, DN 13



A. u. K. Müller

Solenoid valves
Control valves
Special valves and systems

A. u. K. Müller GmbH & Co. KG
Dresdener Str. 162
D-40595 Düsseldorf/Germany

Tel.: +49(0)211-7391-0
Fax: +49(0)211-7391-281

e-mail: info@akmueller.de
Internet: www.akmueller.de

Series 50.013.806



Characteristics

- Servo controlled
- Double filtering of the pilot water
- Pre-tested functional unit
- Hygiene benefit by 100% final testing with air
- Long term performance capability
- Internal pollution protection
- Compact design
- Optimized water hammer characteristic by low noise emission according to EN 60730
- Easy to assemble and service
- Suitable for the thermal as well as chemical disinfection
- Low power consumption
- Any fitting position
- High operating safety by the use of high quality materials and 100% final testing of the products

Applications

- Sanitary faucets

Description

2/2 way solenoid bi stable valve DN 13, operated by pilot valve to control potable water and is especially suitable for the application in battery operated electronically controlled faucets.

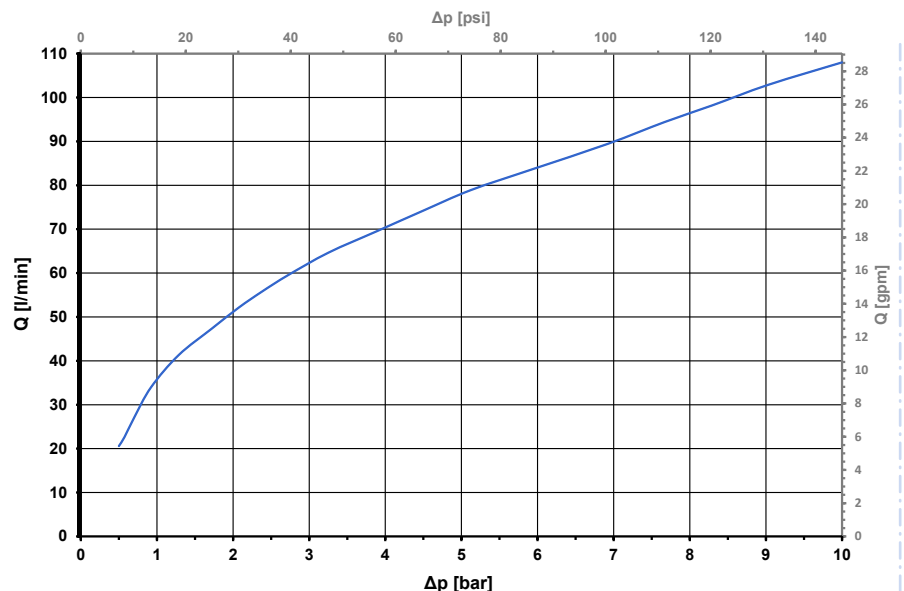
The power consumption is minimised by the use of impulse control (pwm), to achieve with primary cells a high capability with assured valve function.

Approvals

KTW - BWGL

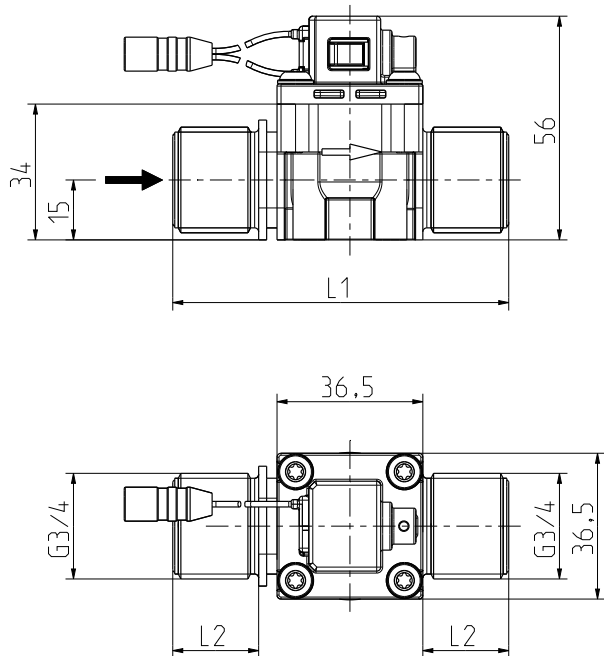
- KTW-BWGL System 1+

Typical Performance Curve





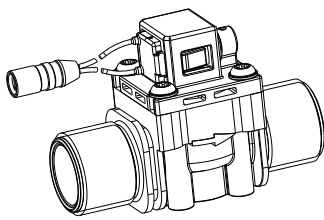
Series 50.013.806



	L1 [mm]	L2 [mm]
G 3/4 A	84	21,5
G 3/4 B	72	15,5

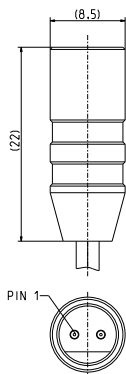
Materials

Valve body	PA 6/6 glass fibre reinforced
Plunger guide	LCP
Plunger and spring	Stainless steel
Membrane and sealings	EPDM
Membrane insert	PSU
Pilot valve socket	PA 6/6 glass fibre reinforced
Coil coating	Hotmelt



Options

Connection type	K - standard cable length
with leads and connector	85 mm
with leads	120 mm
connector	on request



Male connector

Polarity of connector:
 strand color **RED** Pin 1
 strand color **BLACK**
 or **BLUE**

Technical Data

Type	Horizontal valve	
Construction	2/2-way, servo-controlled	
Function	Bi stable, pulse controlled	
Fitting position	Any, preferably with coil horizontal	
Media	Cold and heated potable water and physically and chemically similar media	
T-Medium	5 - 70 °C	(5 - 80 °C max. 10 min)
T-Ambient	5 - 60 °C	
DN	13	mm
p-Operating	0,5 - 10,0 bar	
Flow factor Kv	36	l/min @ 1 bar
Pressure surge	According to EN 60730	
Nominal voltage	6	V DC
	Other voltages on request	
Operating voltage	4,0 - 6,9 V DC open/close at T-ambient 25 °C	
Pulse shape/-time		
Nominal power	1,4 W	at nominal voltage
Protection Type	IP 65	according to EN 60529
Insulation class	B	according to EN 60730
Protection class	III	according to EN 60730

Good resistance to thermal (e.g., T-medium 80 °C / 10 minutes) and chemical disinfection.

Hygiene advantage by air testing prior to delivery.