



Series 51.007.125



51.007.125 DS



51.007.125 YS

Characteristics

- Servo controlled
- Pre-tested functional unit
- Long term performance capability
- Internal pollution protection
- Compact design
- Optimized water hammer characteristic by low noise emission according to EN 60730 / EN 15091
- Easy to assemble and service
- Low power consumption
- Any fitting position
- High operating safety by the use of high quality materials and 100% final testing of the products

Description

2/2 way solenoid bi or monostable valve, DN 7, to control potable water with pilot controlled function, especially suitable for the application in battery operated electronically controlled faucets.

The power consumption is minimised by the use of impulse control (pwm), to achieve with primary cells a high capability with assured valve function.

The construction is in the external contour decreased to allow a smooth integration of the component into a small space. The waterway is specially designed for fittings as a straight valve. The user does not need to design a valve seat.

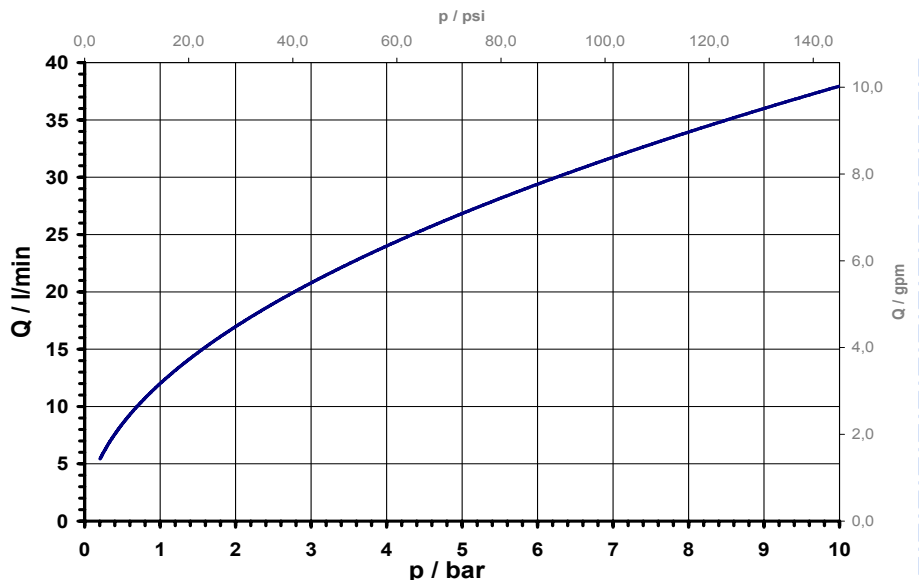
Applications

- Sanitary faucets

Approvals

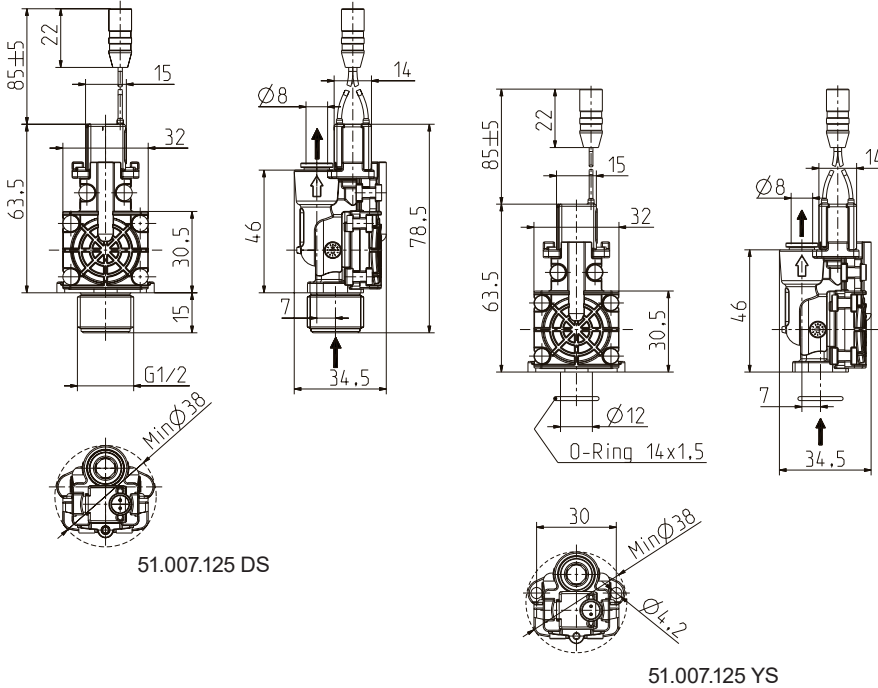
- ACS
- KTW-BWGL System 1+

Typical Performance Curve





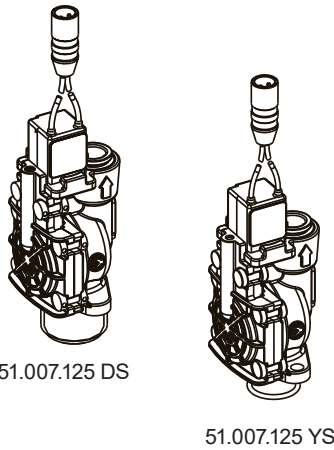
Series 51.007.125



51.007.125 DS

51.007.125 YS

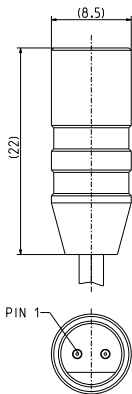
Materials	
Valve body	PA 6/6 glass fibre reinforced
Plunger guide	POM / LCP
Plunger and spring	stainless steel
Membrane and sealings	EPDM
Membrane insert	PSU
Seal retainer	PEI
Coil coating	Hotmelt



51.007.125 DS

51.007.125 YS

Coil connection - Options



pin plug

polarity of plug:

Wire colour **RED** Pin 1
Wire colour **BLACK**

PLUS(+) for opening pulse
MINUS(-)

Option:

Conditional application possibilities with other John Guest-adapters (presently 8mm Ø), different connection threads for flex tubes and other fixing possibilities for the cartridge valve on request

Technical Data

Type	axial valve	
Construction	2/2-way, servo-controlled	
DS	G 1/2 - John Guest 8mm	
YS	flange - John Guest 8mm	
Function	bi stable, pulse controlled	
Fitting position	any, preferably with coil upward	
Media	cold and heated potable water and physically and chemically similar media	
T-Medium	5 - 70	°C.
T-Ambient	5 - 50	°C
DN	7	mm
p-Operating	0,5 - 10,0	bar
Cv-value	12	l/min
pressure surge	according to EN 60730 / EN 15091	
Function	bistable (latching) pulse controlled	
Nominal voltages	6 (9)	V DC (V DC on request)
	other voltages on request	
Operating voltage	4,0 - 6,9 V DC open/close at T-Ambient 25 °C	
Pulse shape/-time		
Nominal power	1,4 W (<1,0 W)	at nominal voltage at 5 V DC)
Function	monostable (NC)	
Nominal voltage	12 V DC 24 V DC	1,7 W 1,8 W
	other voltages on request	
Voltage tolerance	-15 % / +10 %	
Optional voltage reduction		
	$t_{start} : 100 \text{ ms}$ dutycycle $\geq 33\%$ [$>100\text{Hz}$] PWM $t_{start} : 100 \text{ ms}$ dutycycle $\geq 25\%$ [$>1\text{kHz}$] PWM	
Nominal power	12 V DC 24 V DC	1,7 W 1,8 W
Protection Type	IP 65	according to EN 60529
Insulation class	B	according to EN 60730
Protection class	III	according to EN 60730