



Series 62.005.126



Characteristics

- Servo-controlled
- Normally closed (NC)
- Solenoid replaceable while medium circuit remains untouched, solenoid rotatable 4x90°
- Suitable for hot water up to 90 °C
- Optimized water hammer characteristic by low noise emission according to EN 60730
- Long term performance capability
- High operating safety by the use of high quality materials and 100% final testing of the products

Description

2/2-way solenoid valve of nominal diameter DN 5 for use with cold and heated potable water as well as physically and chemically similar media. The valve is servo-controlled and normally closed (NC).

Valves of this design are single chamber, straight valves and can be manufactured with various connections.

This compact valve is ideally suited as a water inlet valve with a flow factor Kv of 6 l/min.

The electrical operational safety is guaranteed by the electrical insulation coordination, which corresponds to the VDE 110 regulations. The manufacturing process includes a 100% electrical safety test in accordance with the VDE 0631 Part 1000 regulations.

By using high quality insulation materials, continuous duty (100 % ED) at higher medium temperatures is possible. The glass fibre reinforced polyamide valve body resists hot water of up to 90 °C.

Applications

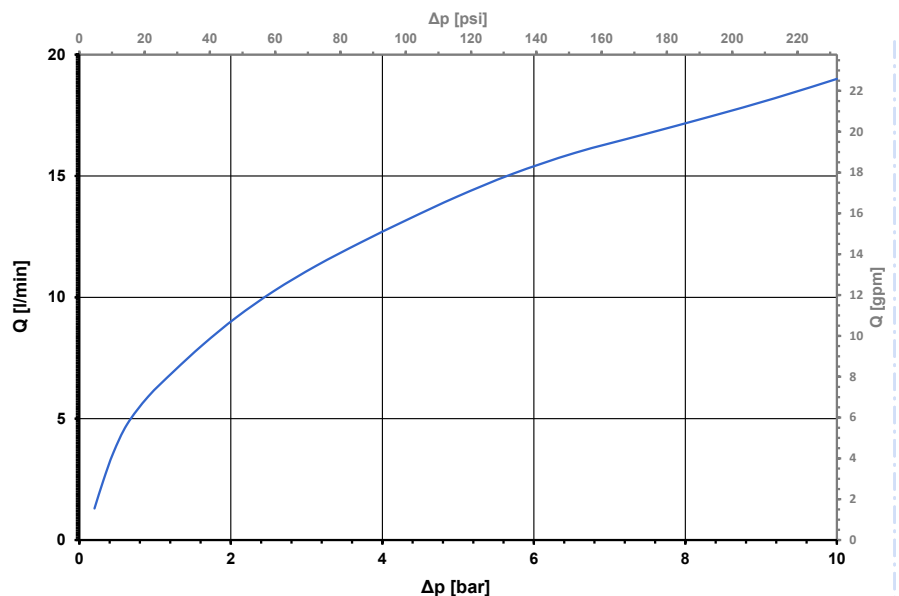
- Electronic faucets and bidet
- Steam appliances
- Dental appliances
- Hot / cold drink dispensers
- Industrial appliances
- Air conditioning
- Agricultural implements
- Cleaning systems
- Temperature equalisers
- Ice machines
- Water treatment

Approvals



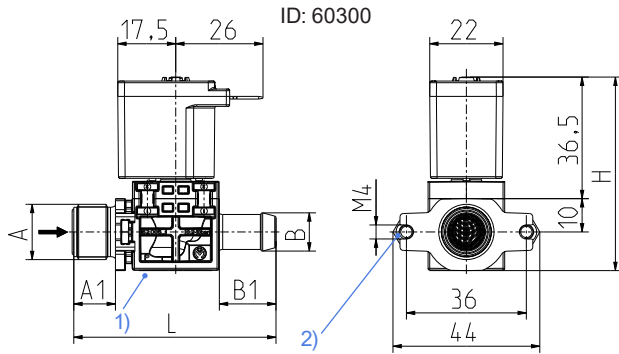
- KTW - BWGL System 1+
- ACS
- SVGW
- NSF
- UL
- Other approved versions available on request

Typical Performance Curve



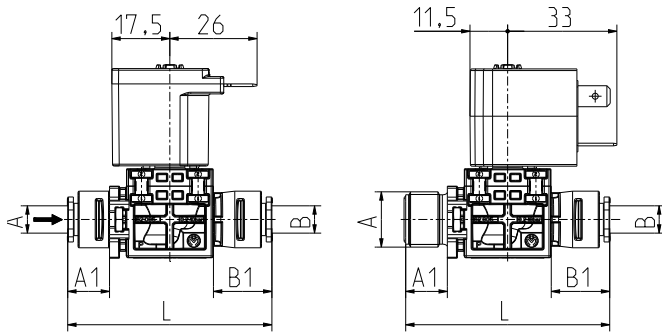


Series 62.005.126



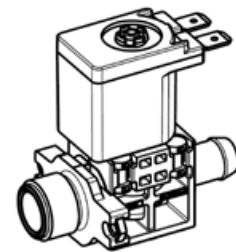
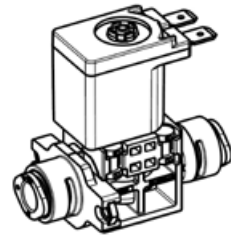
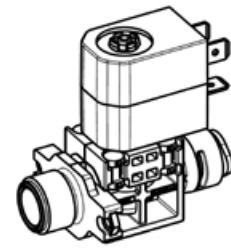
- 1) Fixing groove for Ejot Delta PT 40 x 8 screw
- 2) Wall mounting with screw and nut M4

screws are not included in delivery



ID: 060301

ID: 060302



Options

ID	Inlet		Outlet		Length L	Height H	Coil	Nominal Voltages
	Ø A	A1	Ø B	B1				
060300	G 3/8	12,5	11,5 nozzle	17,0	61	58	MS 39	24 V DC
060301	PushFit Ø8	12,5	PushFit Ø8	17,5	61,5	58	MS 39	24 V DC
060302	G 3/8	12,5	PushFit Ø8	17,5	61,5	58	MS 40	12 V DC

other device variants option on request

Materials

Valve body	PA 6/6 glass fibre reinforced
Plunger guide	PPSU
Plunger and spring	stainless steel
Membrane and sealings	EPDM
Coil coating	PET
Filter (inlet)	stainless steel





Series 62.005.126

Technical Data

Type	solenoid valve	
Construction	2/2-way single chamber straight valve, servo-controlled	
Function	NC (normally closed)	
Fitting position	any, preferably with coil upwardly	
Media	cold and heated potable water and physically and chemically similar media	
T-Medium	5 - 90	°C
T-Ambient	5 - 70	°C
DN	5	mm
p-Operating	0,2 - 10	bar
Flow factor KV	6	l/min
Flow regulator	on request	
Pressure surge	according to EN 60730	
Coil type	MS 39, MS 40	
Nominal voltages	see coils	
	other voltages on request	
Voltage tolerance	+10% -15%	
Duty cycle	100%	
Nominal power	8 W	
Protection Type	see coils	
Coil connections	MS 39: flat tabs 6,3 x 0,8 mm (IP00), MS 40: plug socket, flat tabs 6,3 x 0,8 mm, model B-industry form (IP65)	
Insulation class	H	according to EN 60730
Protection class	see coils	according to EN 60730

Coils

Designation	Pro-tection Type	Nominal voltages		
 MS 39 (Protection class II)	IP00	12	V DC	
		24	V DC	
		24	V AC	50 Hz
		120	V AC	60 Hz
		230	V AC	50 Hz
		220 - 240 *1	V AC	50 - 60 HZ
 MS 40 (Protection class I)	IP65	12	V DC	
		24	V DC	
		24	V AC	50 Hz
		120	V AC	60 Hz
		230	V AC	50 Hz
		220 - 240 *1	V AC	50 - 60 HZ

*1 without voltage tolerance

