

Servo-controlled Manual Operated Valve, DN 5

Product Information



A. u. K. Müller

Solenoid valves
Control valves
Special valves and systems

A. u. K. Müller GmbH & Co. KG
Dresdener Str. 162
D-40595 Düsseldorf/Germany

Tel.: +49(0)211-7391-0
Fax: +49(0)211-7391-281

e-mail: info@akmueller.de
Internet: www.akmueller.de

Series 62.005.815

ID: 057900



Characteristics

- Bi-stable
- Mechanical valve release at the push of a button
- Easy to use thanks to manual actuation with minimal effort
- Suitable for hot water up to 90 °C
- Optimized water hammer characteristic by low noise emission according to EN 60730
- Long term performance capability
- High operating safety by the use of high quality materials and 100% final testing of the products

Description

2/2-way bi-stable servo controlled valve of nominal diameter DN 5 with mechanical valve release.

Through manual actuation, like a button at a ball-point pen, opens and closes the valve. The manual actuation allows for example the manual shut-off of the fluid inlet without an external energy supply necessary.

Valves of this design are single chamber valves with the inlet ninety degrees to the outlet.

This compact valve is ideally suited as a water inlet valve with a flow factor Kv of 8,5 l/min.

The solenoid valve is suitable for use with potable water and physically and chemically similar media. The glass fibre reinforced polyamide valve body resists hot water of 90 °C.

Applications

- Faucets and bidet
- Steam appliances
- Dental appliances
- Hot / cold drink dispensers
- Industrial appliances
- Air conditioning
- Agricultural devices
- Cleaning Systems
- Temperature control devices
- Ice machines
- Water treatment installations

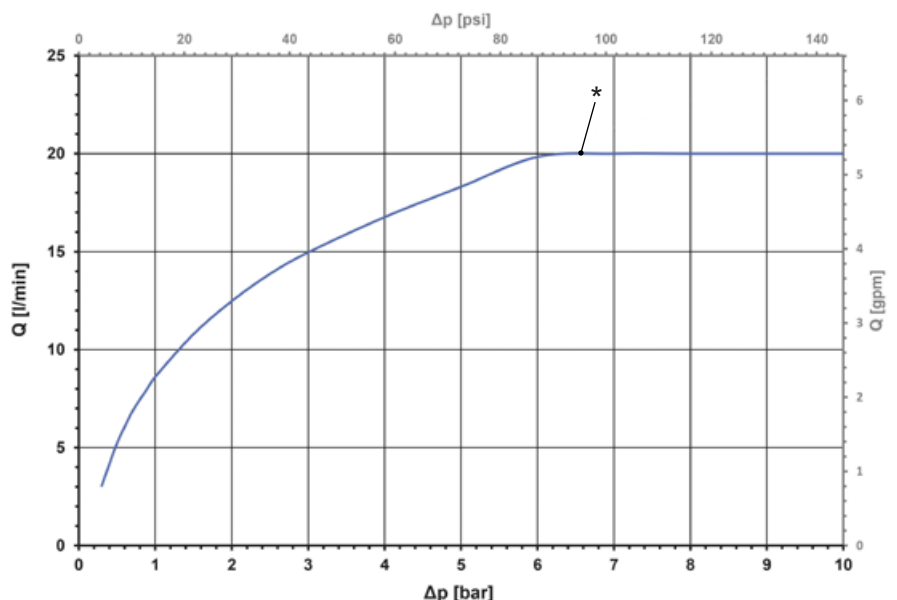
Approvals

Approved variants available on request:

KTW - BWGL ACS

- KTW-BWGL
- ACS
- Other approved versions available on request:

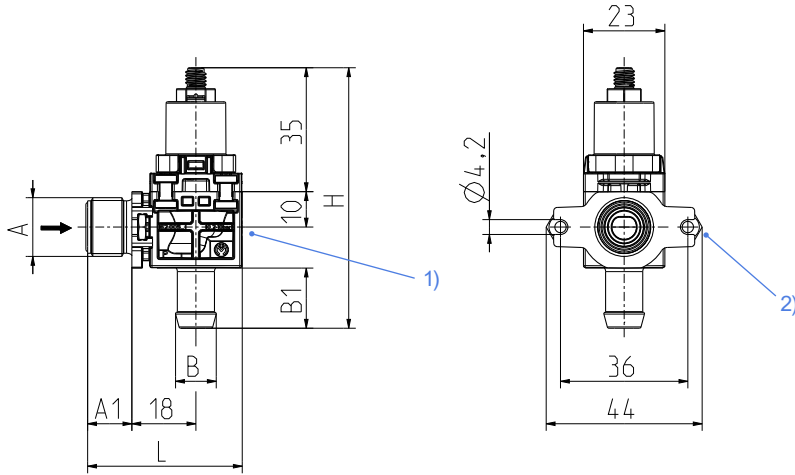
Typical Performance Curve



*The limitation of Q max. ≤ 20 l/min must be ensured by the user.



Series 62.005.815



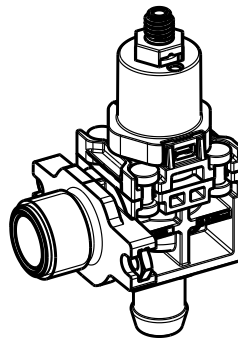
1) Fixing groove for E-jot Delta PT 40 x 8
 2) Wall mounting with screw and nut M4
 Screws are not included in delivery

Technical Data

Type	servo controlled valve with mechanical valve actuation	
Construction	2/2-way single chamber, inlet ninety degree to outlet, servo-controlled	
Function	manually operated, latching	
Fitting position	any, preferably with operating button upwardly	
Media	cold and heated potable water and physically and chemically similar media	
T-Medium	5 - 90	°C
T-Ambient	5 - 60	°C
DN	5	mm
p-Operating	0,2 - 10	bar
Flow factor Kv	8,5	l/min
Q-max	20	l/min
Flow regulator	on request	
Pressure surge	according to EN 60730	

Materials

Valve body and Plunger guide	PA 6/6 glass fibre reinforced
Plunger and spring	stainless steel
Membrane and sealings	EPDM
Filter (inlet)	stainless steel



Options

Inlet		Outlet		Length	Height	ID
Ø A	A1	Ø B	B1	L	H	
G 3/8	12,5	11,5 nozzle	17	44	74	57900
G 1/2	15			46		on request

Other connector options on request.