



**Series IRS-PS-x**

Europe

**IRS-PS-UE**  
12 VDC



Global

**IRS-PS-UG**  
12 VDC



**Characteristics**

- For powering external IR-sensors
- Efficiency Class Level VI
- Compact design
- High reliability
- Safety in case of power failure due to additional energy buffer
- RoHS compliant

**Approvals**



- UL

**Description**

The power supply unit has been developed for the application of bistable A. u. K. Müller valves, in connection with the control sensor IRS-WT-x, for mains operation.

Due to the integrated energy storage, it has the special feature of emergency shutdown of the valve after failure of the mains supply.

In case of a sudden power failure the buffered energy will be recognized as a low voltage by the power supply. The sensor realises a low voltage. Then the sensor releases the buffered energy for a last closing impulse which closes a potentially open valve.

Costs caused by persistent water flow or even expensive water damages can effectively be avoided.

**Applications**

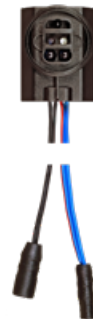
- Power Supply IRS-PS-Ux for:  
x: E = Europe  
x: G = Global

<b>IRS-WT</b>	Faucet
<b>IRS-WT-E</b>	Faucet Eco Mode short range
<b>IRS-WT-OF</b>	Faucet ON/OFF Mode

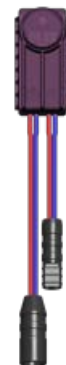
<b>IRS-UWS-U</b>	Urinal (Stadium Mode included)
<b>IRS-UWS-WC</b>	WC
<b>IRS-UWS-B DM</b>	Shower (Body Detect Mode)
<b>IRS-UWS-HDM</b>	Shower (Hand Detect Mode)

- Power Supply IRS-PS-Ux for:  
x: E = Europe  
x: G = Global

<b>IRS-WT-MSF</b>	Faucet flat screen
<b>IRS-WT-MSC</b>	Faucet curved screen



Low voltage connection  
12 VDC ± 5%



Low voltage connection  
12 VDC ± 5%



Series IRS-PS-x

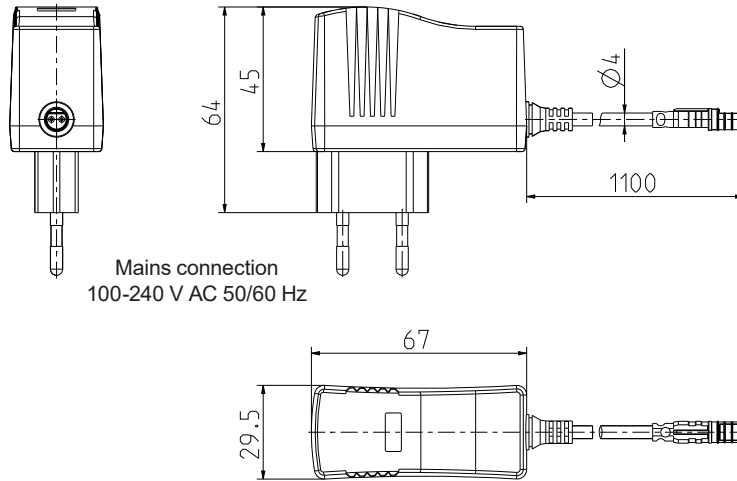
Technical Data

IRS-PS-UE  
IRS-PS-UG

Input	
Rated AC input voltage	100 - 240 V AC
Rated input frequency	50/60 Hz
AC input current	400 mA max.
Output	
Output voltage	12 V DC $\pm$ 5%
Output current	830 mA
Output power	10 W max.
Short circuited protection	Output will be less than rated output voltage, AC input power peak will be less than 2 W. Auto-Recovery function.
Over current protection	Protection level will be less than 120 % of output current. Auto-Recovery function.
Over voltage protection	Protection level will be less than 120 % of output voltage.
Environment	
Operating temperature	0 - 40 °C
Storage temperature	-20 - 70 °C
Operating humidity	75 % RH
Storage humidity	95 % RH
Protection class	IP 40 (IRS-UE) IP 20 (IRS-UG)
Mechanical	
Case	PC + ABS
Weight	75 g

Euro Version  
IRS-PS-UE

ID: 009338  
12 VDC  $\pm$  5%



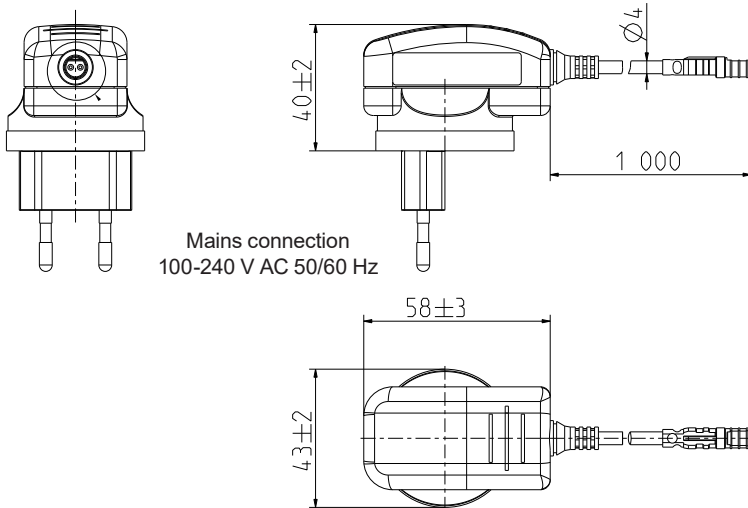


**Series IRS-PS-x**

**Global Version for Various Plug Systems**

**IRS-PS-UG**

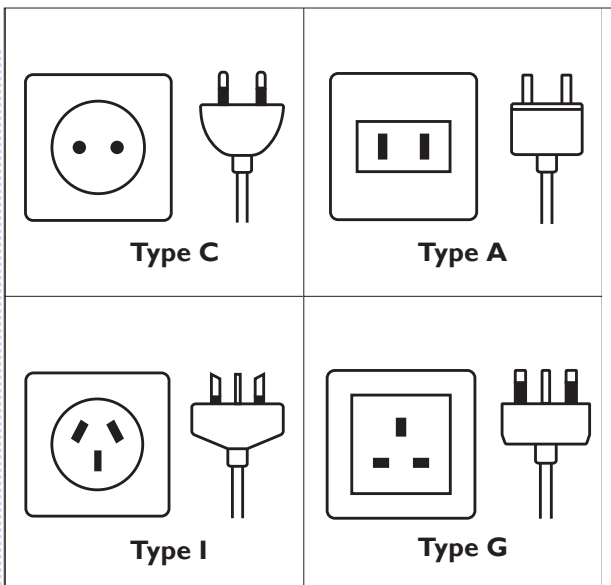
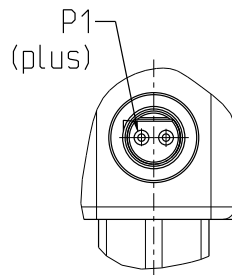
ID: 009293 (only power supply)  
12 VDC ± 5%



.....The mains plug can be changed to different plug systems through the adapters.

**Adapter** (necessary for operation with power supply unit IRS-PS-UG)

ID	Type	Designation	
009494	A	Nema - male connector	USA
009493	C	CEE 7/16	Europe
009496	G	BS 1363	United Kingdom
009495	I	AS3112	Australia





Solenoid valves  
Control valves  
Special valves and systems

A. u. K. Müller GmbH & Co. KG  
Dresdener Str. 162  
D-40595 Düsseldorf/Germany

Tel.: +49(0)211-7391-0  
Fax: +49(0)211-7391-281

e-mail: [info@akmueller.de](mailto:info@akmueller.de)  
Internet: [www.akmueller.de](http://www.akmueller.de)