



Series IRS-PS-x

Europe

IRS-PS-UE
12 VDC



Global

IRS-PS-UG
12 VDC



Characteristics

- For powering external IR-sensors
- Efficiency Class Level VI
- Compact design
- High reliability
- Safety in case of power failure due to additional energy buffer
- RoHS compliant

Approvals



- UL

Description

The power supply unit has been developed for the application of bistable A. u. K. Müller valves, in connection with the control sensor IRS-WT-x, for mains operation.

Due to the integrated energy storage, it has the special feature of emergency shutdown of the valve after failure of the mains supply.

In case of a sudden power failure the buffered energy will be recognized as a low voltage by the power supply. The sensor realises a low voltage. Then the sensor releases the buffered energy for a last closing impulse which closes a potentially open valve.

Costs caused by persistent water flow or even expensive water damages can effectively be avoided.

Applications

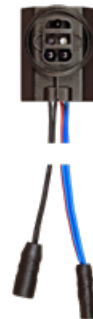
- Power Supply IRS-PS-Ux for:
x: E = Europe
x: G = Global

IRS-WT	Faucet
IRS-WT-E	Faucet Eco Mode short range
IRS-WT-OF	Faucet ON/OFF Mode

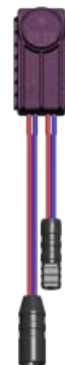
IRS-UWS-U	Urinal (Stadium Mode included)
IRS-UWS-WC	WC
IRS-UWS-B DM	Shower (Body Detect Mode)
IRS-UWS-HDM	Shower (Hand Detect Mode)

- Power Supply IRS-PS-Ux for:
x: E = Europe
x: G = Global

IRS-WT-MSF	Faucet flat screen
IRS-WT-MSC	Faucet curved screen



Low voltage connection
12 VDC ± 5%



Low voltage connection
12 VDC ± 5%



Series IRS-PS-x

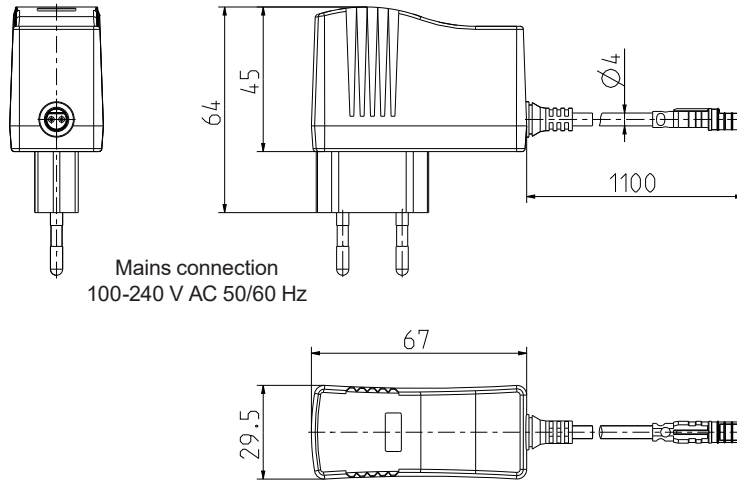
Technical Data

IRS-PS-UE
IRS-PS-UG

Input	
Rated AC input voltage	100 - 240 V AC
Rated input frequency	50/60 Hz
AC input current	400 mA max.
Output	
Output voltage	12 V DC \pm 5%
Output current	830 mA
Output power	10 W max.
Short circuited protection	Output will be less than rated output voltage, AC input power peak will be less than 2 W. Auto-Recovery function.
Over current protection	Protection level will be less than 120 % of output current. Auto-Recovery function.
Over voltage protection	Protection level will be less than 120 % of output voltage.
Environment	
Operating temperature	0 - 40 °C
Storage temperature	-20 - 70 °C
Operating humidity	75 % RH
Storage humidity	95 % RH
Protection class	IP 40 (IRS-UE) IP 20 (IRS-UG)
Mechanical	
Case	PC + ABS
Weight	75 g

Euro Version
IRS-PS-UE

ID: 009338
12 VDC \pm 5%



Mains connection
100-240 V AC 50/60 Hz



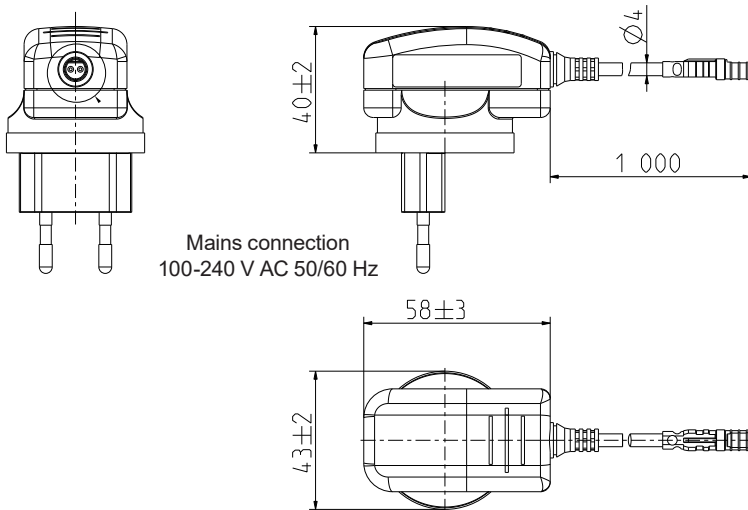


Series IRS-PS-x

Global Version for Various Plug Systems

IRS-PS-UG

ID: 009293 (only power supply)
12 VDC ± 5%



.....The mains plug can be changed to different plug systems through the adapters.

Adapter (necessary for operation with power supply unit IRS-PS-UG)

ID	Type	Designation	
009494	A	Nema - male connector	USA
009493	C	CEE 7/16	Europe
009496	G	BS 1363	United Kingdom
009495	I	AS3112	Australia

