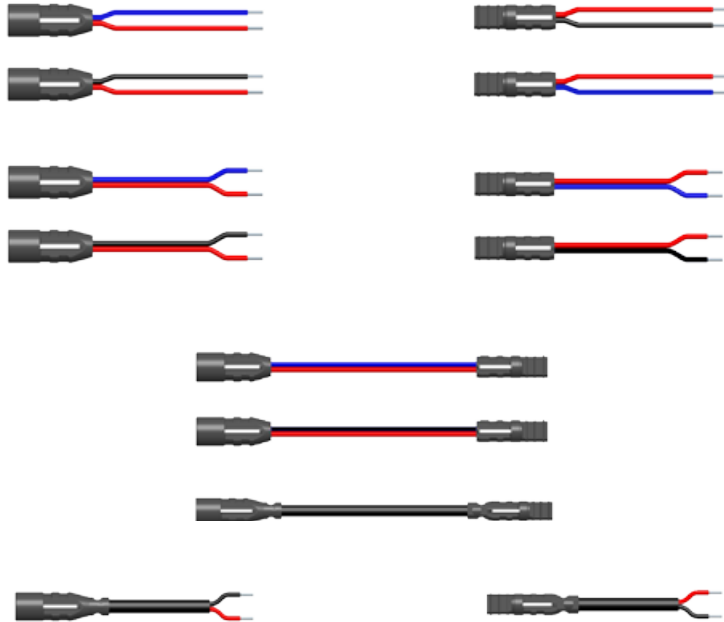




Series SCI



Characteristics

- IP 68 for plug / socket connection in accordance with DIN EN 60529:2014-09
- Reverse polarity connection prevented by special shape and colour marking of plug and socket
- Anti twist protected
- RoHS compliant
- PVC encapsulation of socket and plug complies with EN 60335-1 glow wire test
- Flexible cables for use where space is limited

Description

PVC cables with male and female plug connectors which can be used with low voltage (SELV) solenoid valves or to connect electrical components.

The plug and socket connectors are specially designed to prevent both twisting and reverse polarity and conform to IP68 protection rating in accordance with DIN EN 60529:2014-09.

The PVC cable sleeve material complies with the EN60335-1 standard for unattended devices with a current greater than 200 mA (tested 750 ° C, VDE).

Application

- Cable connections for low voltage valves and sensors (SELV)
- Cable connections for electrical components such as battery connectors, thermostatic controls, infrared taps and similar applications.





Series SC1

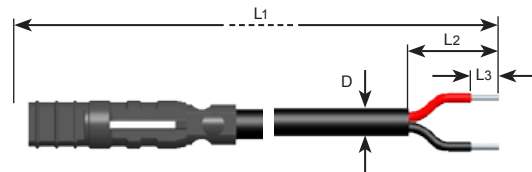
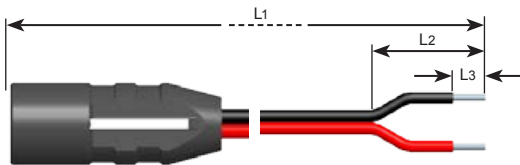
Technical Data

Maximum operating voltage	30 42,5	VAC VDC
Nominal current (25°C)	5	A
Contact resistance	10	mOhm
Protection type	IP 68 in accordance with DIN EN 60529:2014-09	

		Cable type	Cable colours	Cross-Section			Sleeve	D OD Ø
				[mm ²]	AWG	UL Style		
SC1-M-S SC1-F-S	A *)		Single strand red/black	2 x 0,22	1 x AWG 24	1007/1569	PVC Ø 1,5 mm	-
	B *)		Single strand red/blue		1 x AWG 24	1007/1569		
	C		Twin strand red/black	2 x 0,23	2 x AWG 24	2651		
	D		Twin strand red/blue	2 x AWG 24	2651			
SC1-M-R SC1-F-R	A		Round cable LIYY red/black	2 x 0,14	2 x AWG 26	2726	PVC Ø 3 mm	
	B		Round cable LIYY red/black	2 x 0,23	2 x AWG 24	2464/1061	PVC Ø 4 mm	

*) Single strands for sockets and plugs are always considered as pairs.

Cable lengths and cable ends



Cable length L1 [mm] * ± 5 [mm]
on request
* To the end of plug or socket

Length of fanning L2 [~mm] *
on request
* Depends on L1

Stripped length L3 [~mm] *
on request
* Depends on L2 (≥3 mm)

Cable ends
Cleanly cut
Twisted
Twisted / Tinned
Crimped
on request

Extension cable

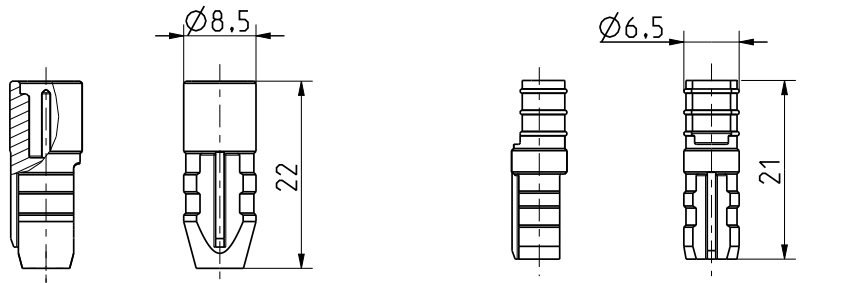
Cables can be produced with any of the above connection options on either end or other customer specific connectors as required





Series SC1

Socket and plug connectors for twin strand cables



Specially shaped to prevent twisting and reverse polarity connection.



SCI-M-S

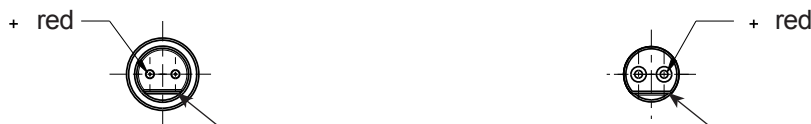
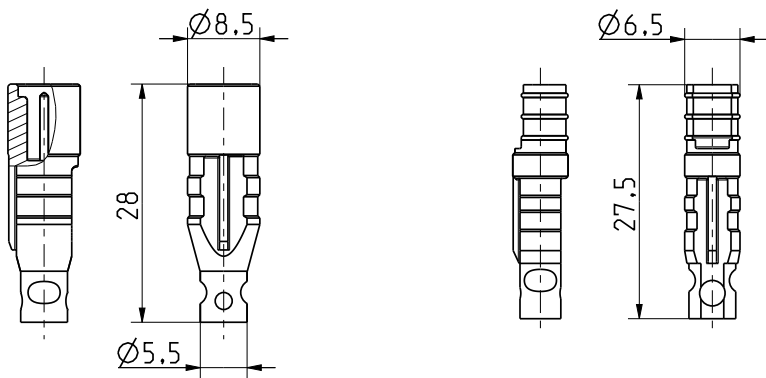


SCI-F-S

Contacts

Contacts	Gold plated
Contact resistance	≤ 50 mΩ

Socket and plug connectors for two core round sleeved cables



Specially shaped to prevent twisting and reverse polarity connection.



SCI-M-R



SCI-F-R



Series SC1



Solenoid valves
Control valves
Special valves and systems

A. u. K. Müller GmbH & Co. KG
Dresdener Str. 162
D-40595 Düsseldorf/Germany

Tel.: +49(0)211-7391-0
Fax: +49(0)211-7391-281

e-mail: info@akmueller.de
Internet: www.akmueller.de