

Connectors and cable with integrated energy storage, 2-core

Product Information



A. u. K. Müller

Solenoid valves
Control valves
Special valves and systems

A. u. K. Müller GmbH & Co. KG
Dresdener Str. 162
D-40595 Düsseldorf/Germany

Tel.: +49(0)211-7391-0
Fax: +49(0)211-7391-281

e-mail: info@akmueller.de
Internet: www.akmueller.de

Series SC2



Characteristics

- Increased security with energy storage in case of power failure
- IP 67 for plug / socket connection (72 h / 1 m)
- Protected against polarity reversal by visible and tactile guide contour (guide marks for assembly and flattening on plug and socket)
- Anti twist protected
- RoHS compliant
- PVC encapsulation of plug and socket complies with EN 60335-1 glow wire test (750 °C)

Application

- Cable connections for low voltage valves and sensors (SELV)

Description

In the case of a power failure, the energy store integrated into cable SC2 provides a last pulse to the sensor system IRS-WT-x, IRS-UWS-x or IRS-WT-Mx. This closes the low voltage solenoid valve and prevents wasting water or flooding.

The plug and socket connectors are specially designed to prevent both twisting and reverse polarity and conform to protection class IP67.

The PVC cable sleeve material complies with the EN60335-1 standard for unattended devices with a current greater than 200 mA (tested 750 °C, VDE).



Valve



Sensor



Cable with integrated energy storage SC2



Cable SC1



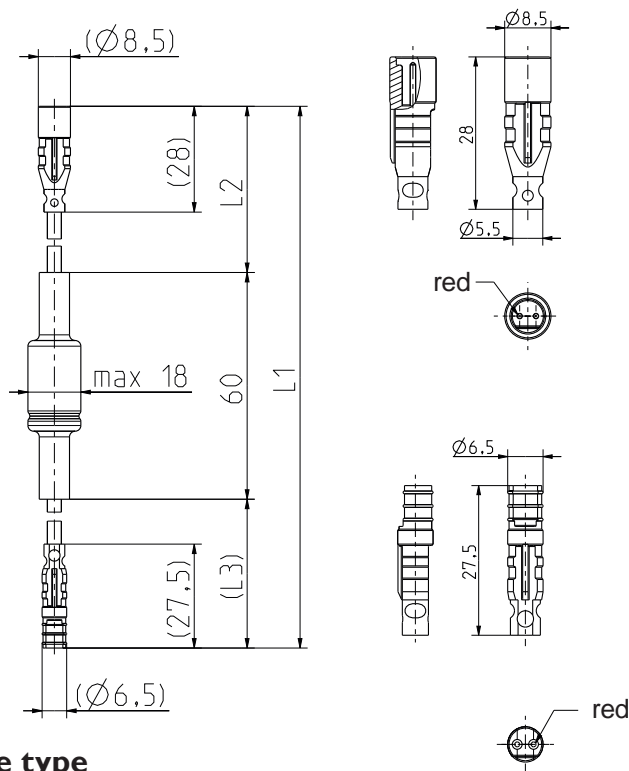
Central power supply, flush-mounted

Series SC2

Technical Data

Maximum operating voltage	16	VDC
Nominal current (25°C)	5	A
Contact resistance	10	mOhm
Protection type	IP 67 according to EN 60529	

Cable length L1 [mm]*	Cable length L2 [mm]*	Cable length L3 [mm]*
300 ± 10	160 ± 10	80 ± 10
*others on request		



SC2-F-R

SC2-M-R

Cable type

		Cable type	Cable colours	Cross-Section		Sleeve	Cable outer insulation	D OD Ø
				[mm ²]	AWG			
SC2-M-R		Round cable LIYY	red/black	2 x 0,23	2 x AWG 24	2464/1061		PVC Ø 4 mm
SC2-F-R								

Customized extension cables

Using the standard cable SC1 simple extensions can be realized.

On request, customer specific connectors appropriate to the cable type are possible.

